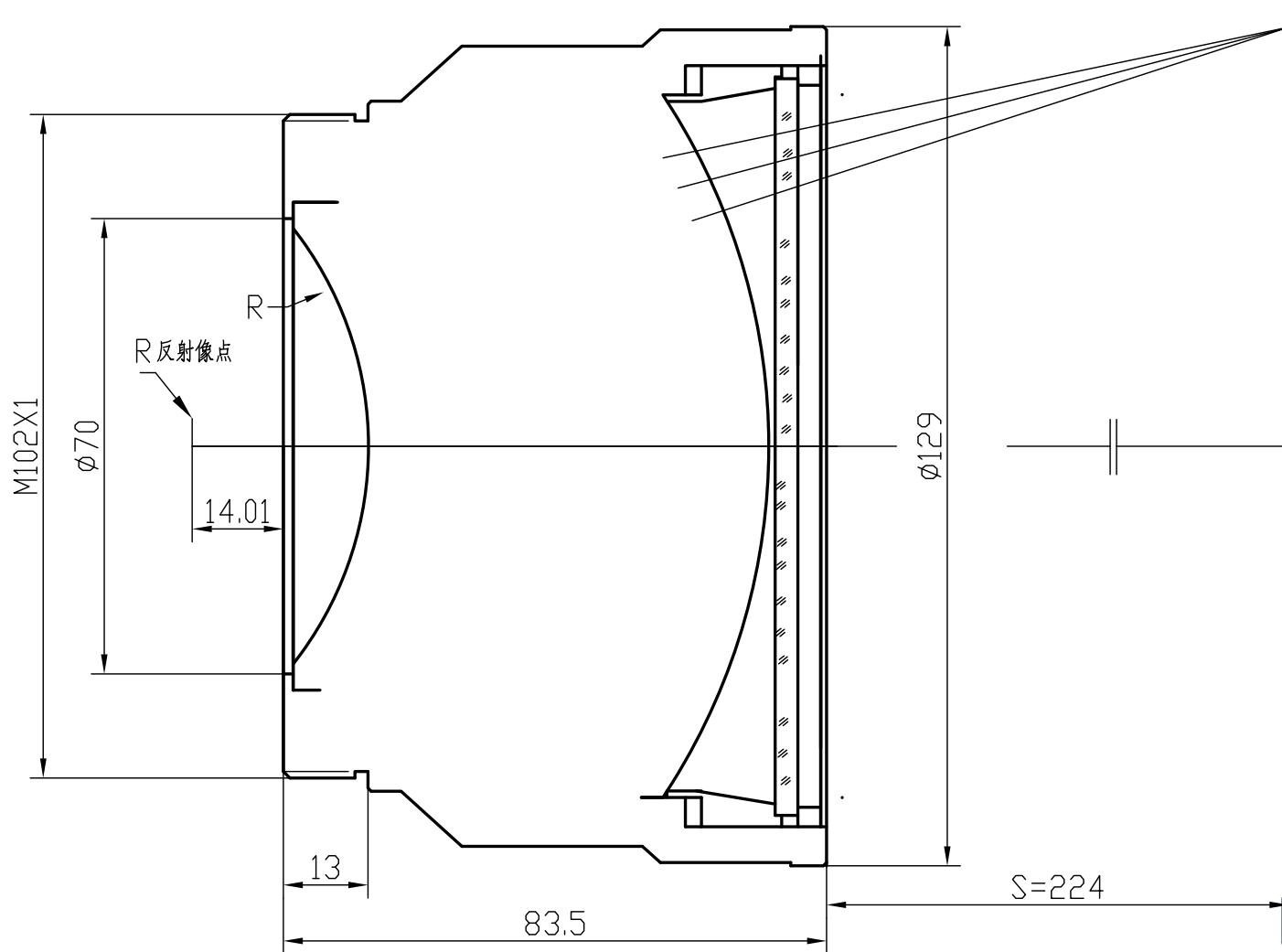


F-Theta f=170mm Fused Silica

Drawing No. SH102-1064-100-170-30-FS



Specificcation

EFL	170mm
S	224mm
Wavelength	$\lambda = 1064nm$
scan angle	$\pm 25^\circ$
max scan field	100mm x 100mm
Entrance beam diameter ϕ	30mm
Center point diameter (1/e ²)	11 μm
Edge point diameter (1/e ²)	12 μm
mirror distance m1	25-30
mirror distance m2	20-30
Transmission >	97%
Thread	M102x1
With protective wind w	yes

INNNOTECH
LASER