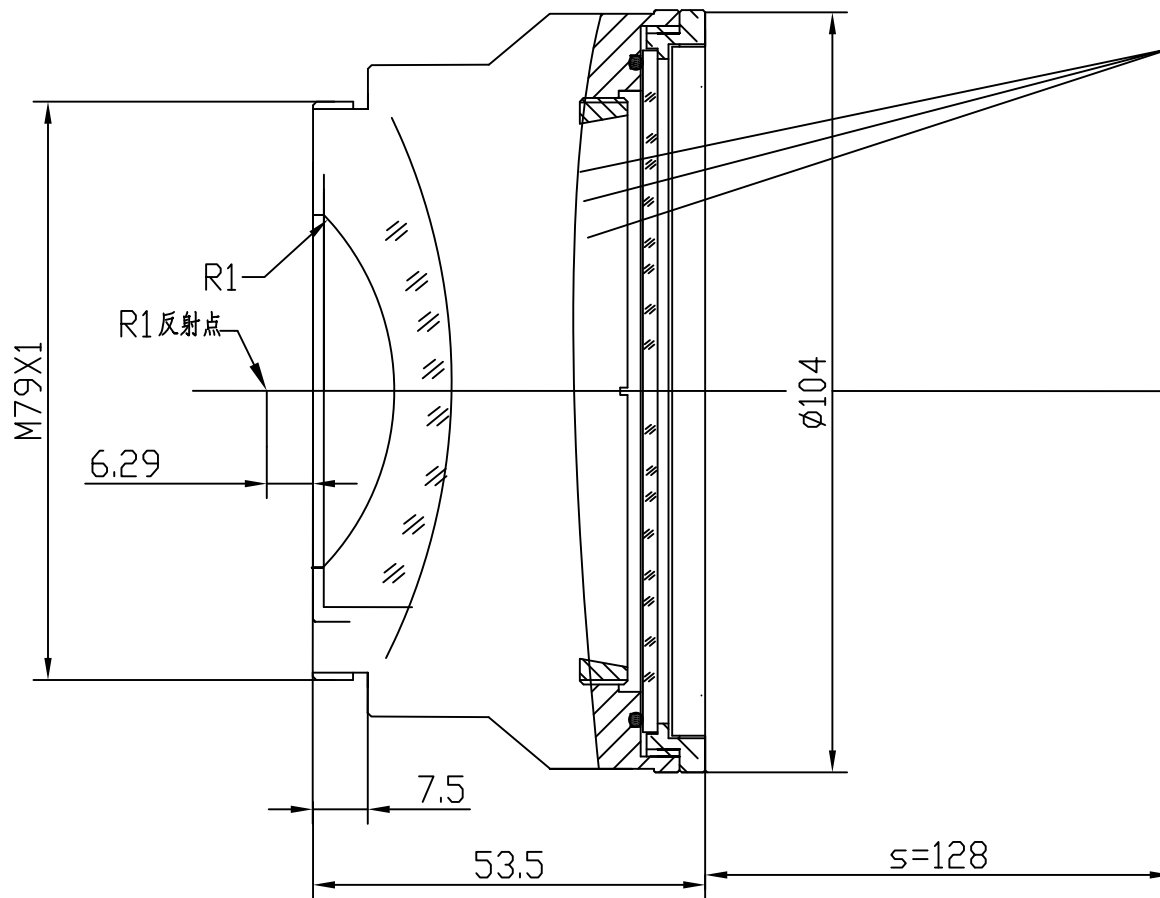


# F-Theta f=110mm

Drawing No. SH79-1064-70-100-20



## Specification

EFL	100mm
S	125mm
Wavelength	$\lambda = 1064\text{nm}$
scan angle	$\pm 28^\circ$
max scan field	70mm x 70mm
Entrance beam diameter $\phi$	20mm
Center point diameter ( $1/e^2$ )	10 $\mu\text{m}$
Edge point diameter ( $1/e^2$ )	12 $\mu\text{m}$
mirror distance m1	18
mirror distance m2	20
Transmission >	97%
Thread	M79x1
With protective window	yes