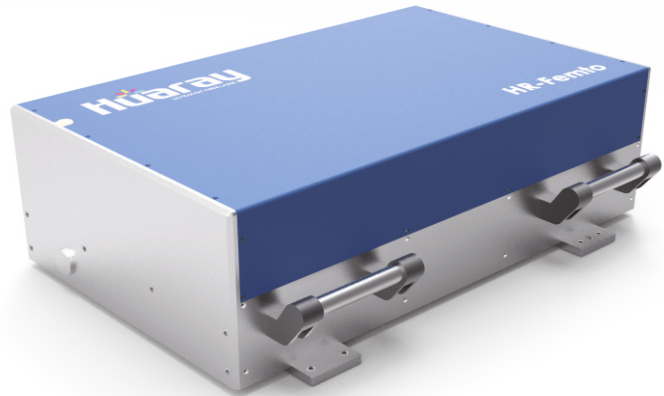


# HR-Femto-IR-80-60

Femtosecond DPSS-Laser  
Data sheet V 1.0

## Features

- » <300 fs- 10 ps tunable pulse
- » Pulse on demand function
- » Support multiple Burst modes
- » Optional SHG module
- » Medical device fabrication

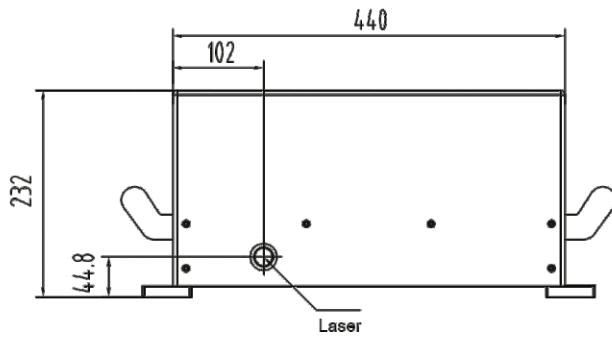


## TECHNICAL SPECIFICATIONS

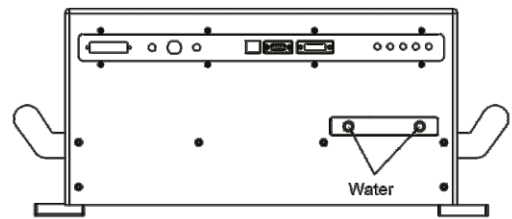
Central wavelength	1035 nm	Beam circularity	>90%
Output power	60 W	Pulse stability	<2% RMS
Max. pulse energy	80 mJ @ 750 kHz	Power stability	<2% RMS
Burst energy	320 μJ	Power supply	AC 220/110V
Repetition frequency	Single shot 1 Mhz	Operating temperature	10 - 30 °C
Pulse width	<300 fs to 10 ps	Storage temperature	-10 - 60 °C
Beam divergence	<1 mrad	Cooling method	Water
Beam diameter	3 mm	Laser dimension(mm)	720x220x440
Beam quality	<1.2 M <sup>2</sup>	Net weight	< 40 kg
Polarization state	Linear		

# HR-Femto-IR-80-60

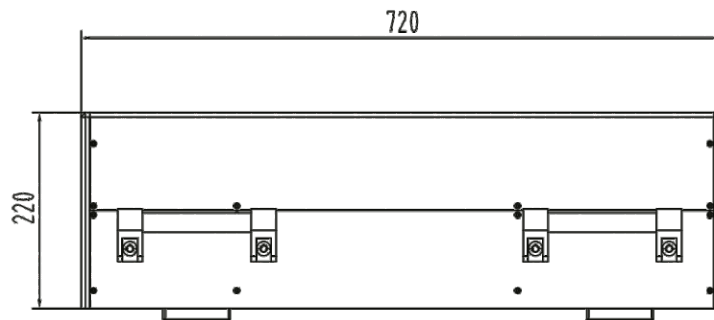
**Front View**



**Rear View**



**Side View**



**Top View**

