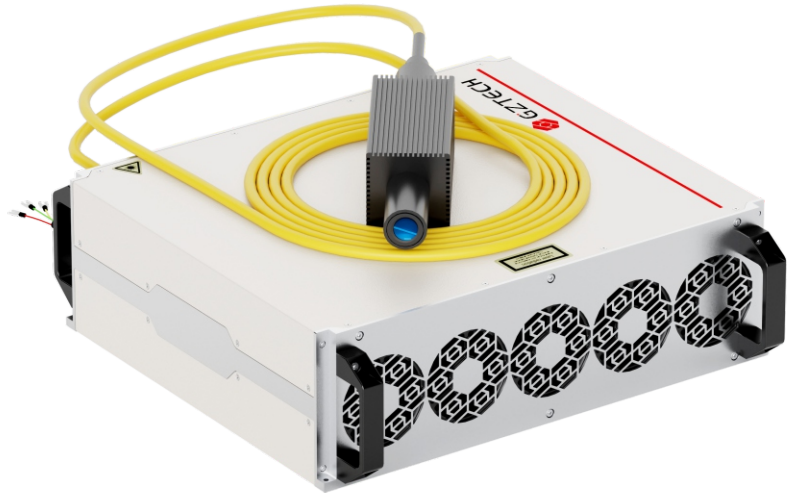


YFPN-750-GM

MOPA FIBER LASER, LR05101W
Data sheet V 1.0

Features

- » MOPA Technology
- » Short pulse setup
- » Very competitive price
- » Pulse width modifiable



TECHNICAL SPECIFICATIONS

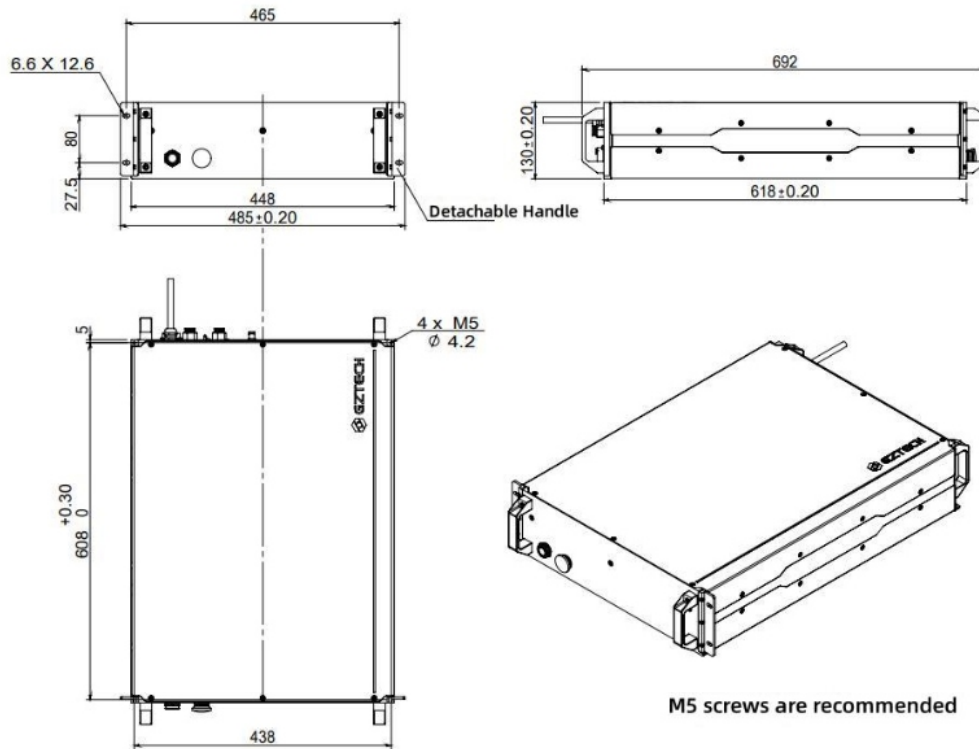
Central Wavelength	1060-1080 nm	Spectral width @3dB	<20 nm
Output power	750 W	Polarization	Random
Max. pulse energy	2 mJ	Beam diameter	9-11 mm
Range of power	0-100 %	Delivery cable	5 m
Repetition frequency	1-6000 kHz	Supply voltage AC	220 VAC
Pulse width	20-500 ns	Current consumption	<12 A
Power instability	<5 %	Power consumption	<2640 W
Beam quality	<1.8 M ²	Operating temperature	0 - 40 °C
Laser switching ON/OFF time	<20 μs	Storage temperature	-10 - 60 °C
Laser dimension (mm)	692x485x130	Colling method	Water
Net weight	<45 kg	Isolator dimension	286x60x70

YFPN-750-GM

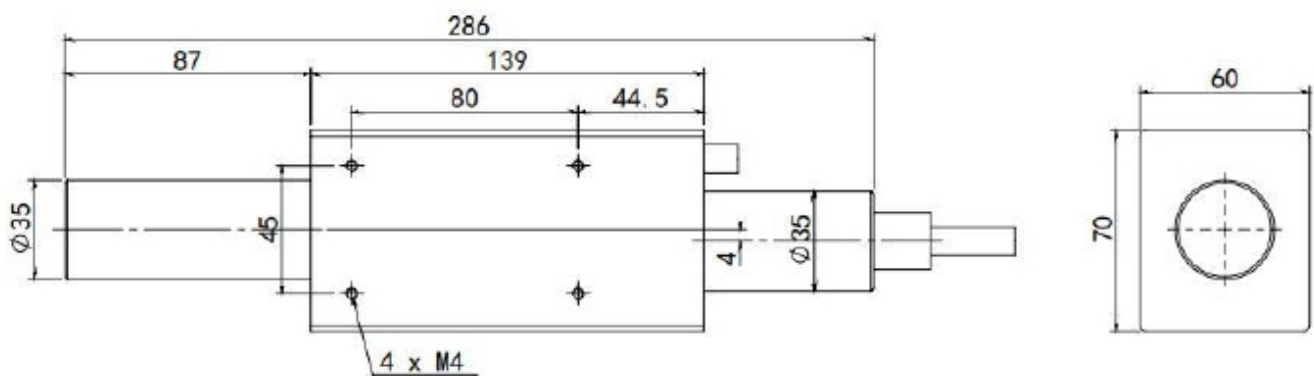
Pulse width corresponds to the power reduction frequency point and the maximum single pulse energy

Pulse width (ns)	Power reduction frequency (kHz)	Upper frequency limit (kHz)	Max. single pulse energy (mJ)
1 (CW)	/	/	/
20	4200	6000	0.18
30	3000	6000	0.25
40	2400	5000	0.31
50	2300	5000	0.33
60	2100	4000	0.36
80	1650	4000	0.45
90	1500	3000	0.50
100	1200	3000	0.63
120	1100	2000	0.68
150	950	2000	0.79
200	700	1000	1.07
250	600	1000	1.25
350	500	1000	1.50
450	375	800	2.00
500	375	800	2.00

YFPN-750-GM



Laser dimension



Isolator