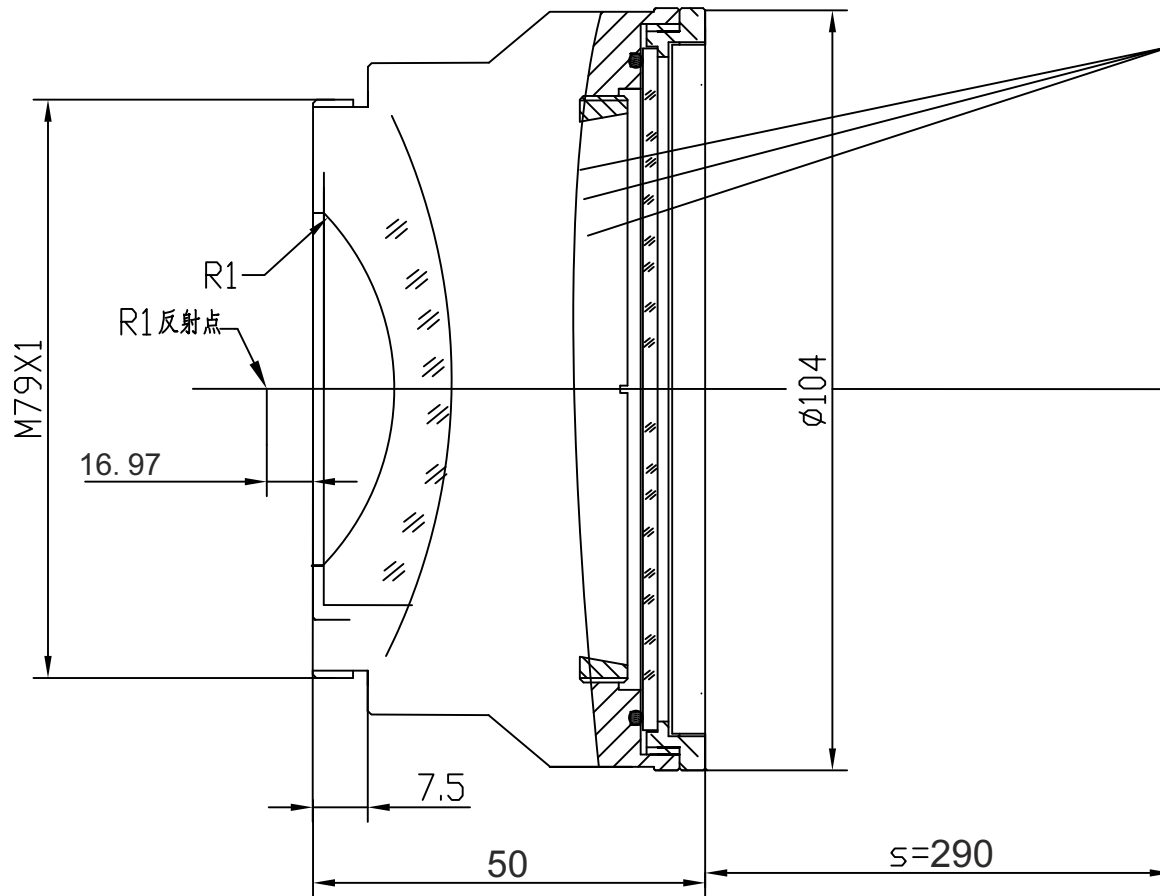


F-Theta f=254mm

Drawing No. SH79-1064-175-254-20



Specification

EFL	254mm
S	290mm
Wavelength	$\lambda = 1064\text{nm}$
scan angle	$\pm 28^\circ$
max scan field	175mm x 175mm
Entrance beam diameter \varnothing	20mm
Center point diameter ($1/e^2$)	25 μm
Edge point diameter ($1/e^2$)	27 μm
mirror distance m1	18
mirror distance m2	24
Transmission >	97%
Thread	M79x1
With protective window	yes