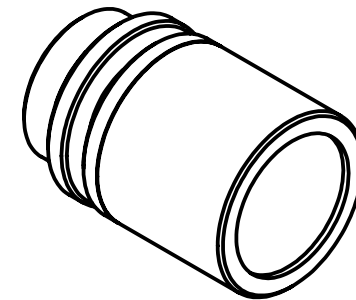
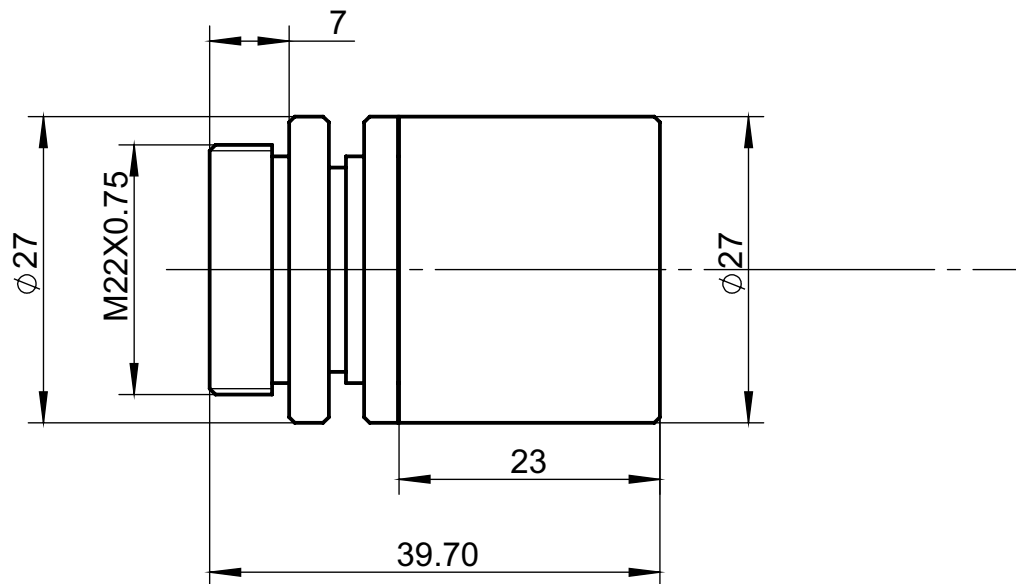


1,5x Beam Expander ($\lambda = 1064\text{nm}$)

Drawing No. SHK-1064-1,5



input Apertur <10mm

output Apertur <21mm