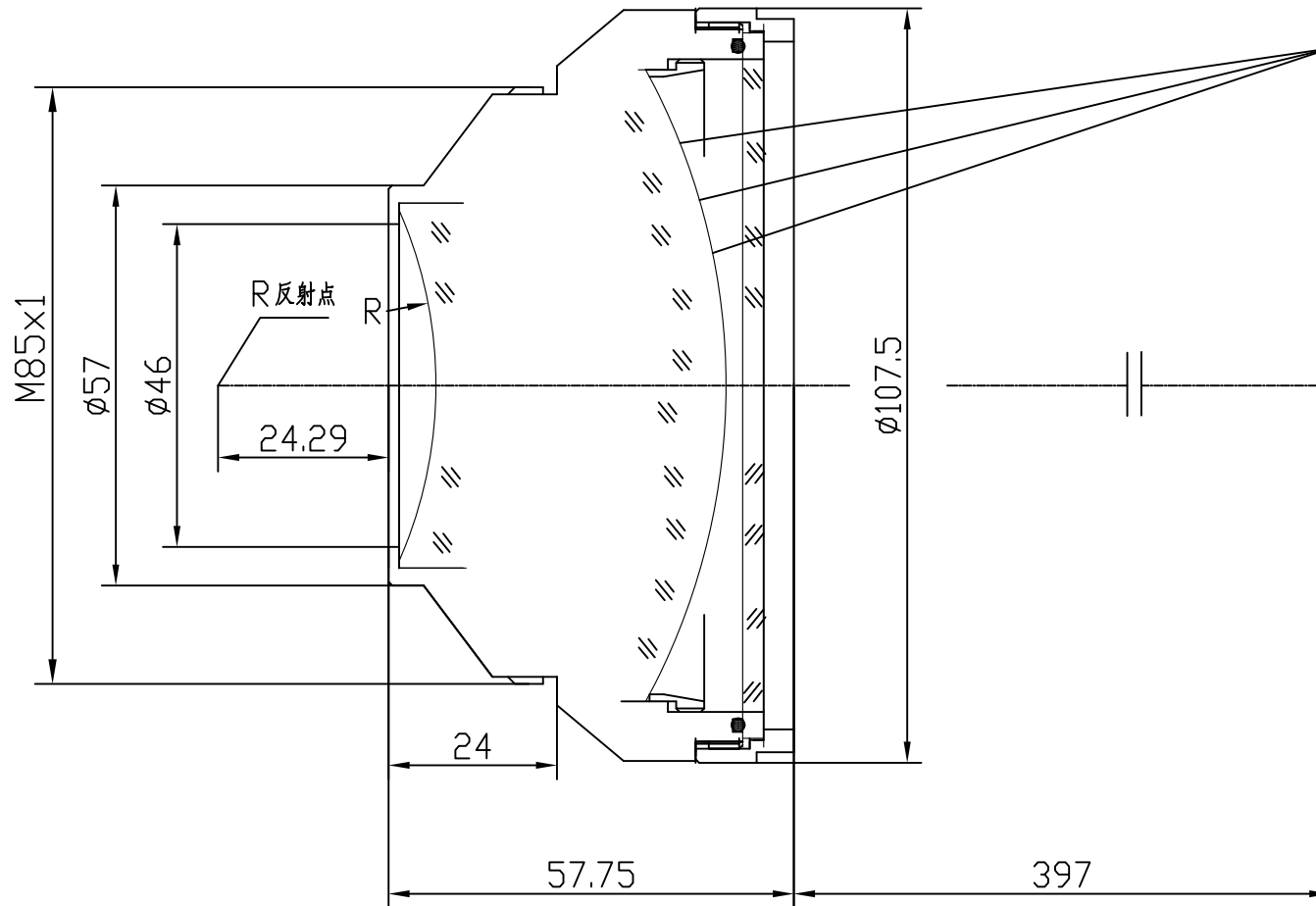


# F-Theta f=330mm D20mm

Drawing No. SH-1064-220-330-20-FS



## Specification

EFL	330mm
WD	397mm
Wavelength	$\lambda = 1064\text{nm}$
scan angle	$\pm 28^\circ$
max scan field	220mm x 220mm
Entrance beam diameter $\phi$	20mm
Center point diameter ( $1/e^2$ )	33 $\mu\text{m}$
Edge point diameter ( $1/e^2$ )	35 $\mu\text{m}$
mirror distance m1	24-30
mirror distance m2	
Transmission >	99.2%
Thread	M85x1
With protective window	Yes