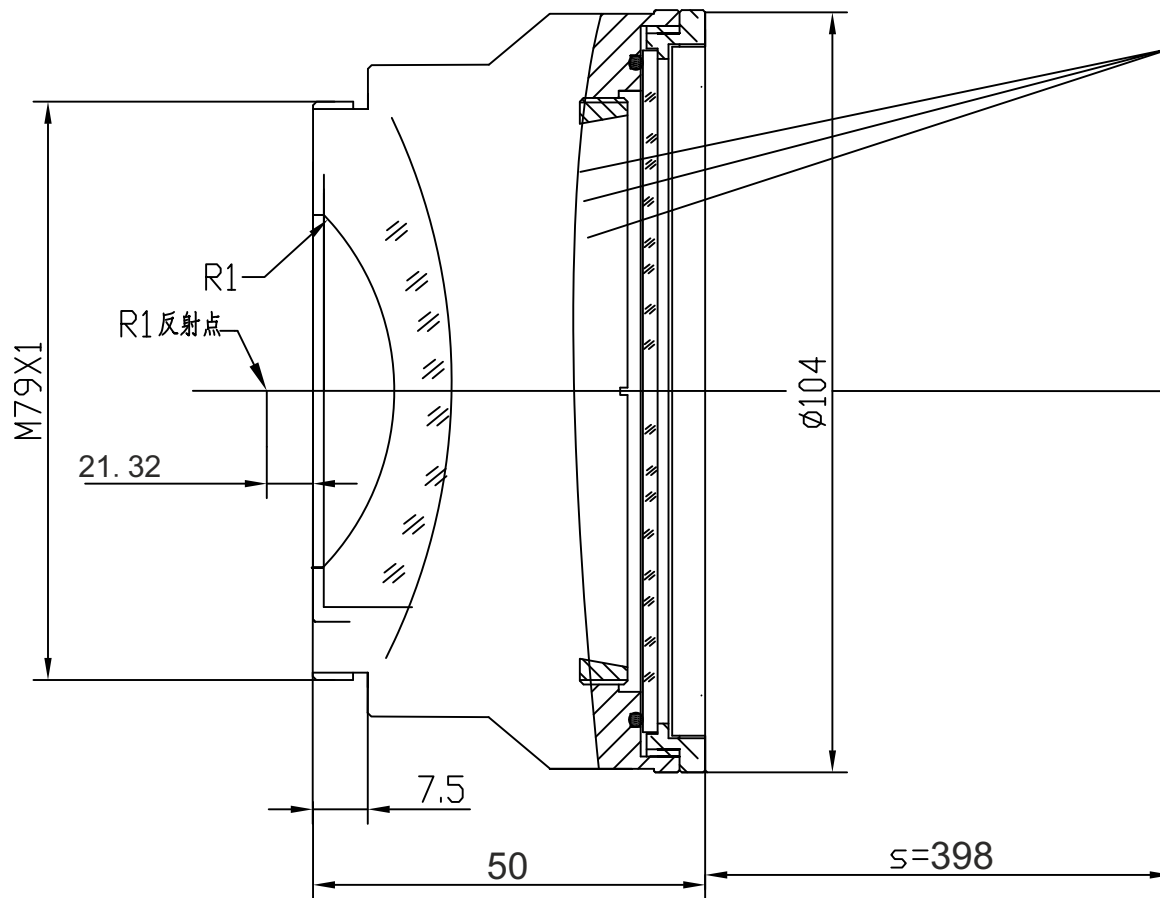


# F-Theta f=350mm

## Drawing No. SH79-1064-240-350-20



### Specification

EFL	350mm
S	398mm
Wavelength	$\lambda = 1064\text{nm}$
scan angle	$\pm 28^\circ$
max scan field	240mm x 240mm
Entrance beam diameter $\varnothing$	20mm
Center point diameter ( $1/e^2$ )	34 $\mu\text{m}$
Edge point diameter ( $1/e^2$ )	36 $\mu\text{m}$
mirror distance m1	18
mirror distance m2	16
Transmission >	97%
Thread	M79x1
With protective window	yes