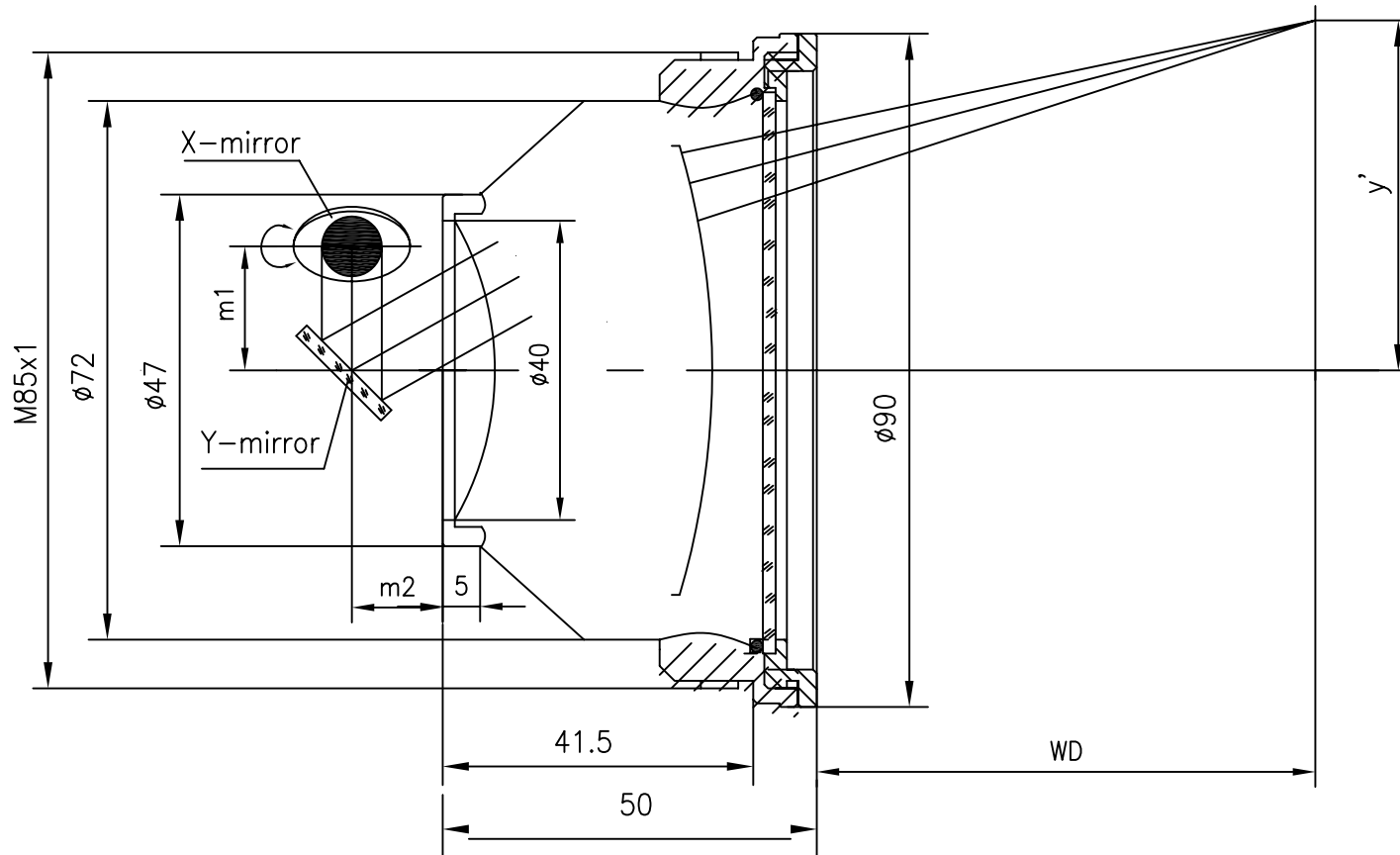


# F-Theta f=330mm

## Drawing No. SH-1064-230-330-12



### Specification

EFL	330mm
WD	355mm
Wavelength	$\lambda = 1064\text{nm}$
scan angle	$\pm 28^\circ$
max scan field	230mm x 230mm
Entrance beam diameter $\phi$	12mm
Center point diameter ( $1/e^2$ )	54 $\mu\text{m}$
Edge point diameter ( $1/e^2$ )	56 $\mu\text{m}$
mirror distance m1	16-20
mirror distance m2	10-12
Transmission >	97%
Thread	M85x1
With protective window	yes