

innoSCAN 10/10-R

Features

- » Very competitive price
- » Compact construction
- » Sealed housing



Specification

Mode	innoSCAN 10/10-R
Input Aperture	10 mm
Wavelength	355, 532, 1064, 10600 nm
Tracking error time	0.170 ms
Writing Speed ^{1,2}	>450 cps / 1.500 mm/s
Positioning Speed ¹	>7 m/s
Typical Deflection	± 0.35 rad
Resolution	16 bit
Repeatability (RMS)	<22 µrad
Max. Gaindrift ³	100 ppm/K
Max. Offsetdrift ³	50 µrad/K
Long-Term Drift (8h) ³	< 0.6 mrad
Zero Offset	<5 mrad
Digital Interface	XY2-100 Protocol
Analog Interface	±5 V
Ambient Temperature	+15 to +35 °C
Storage Temperature	-20 to +60 °C
Humidity	≤80% Non-condensing
Voltage / Current	15 V±DC / max. 3A
Weight	ca. 1,1 kg
Dimensions	114x94x70.5 mm

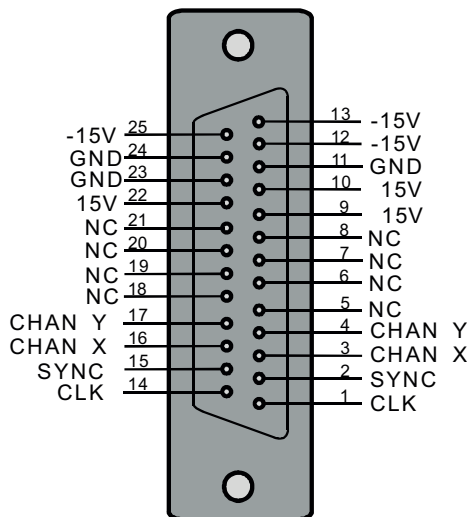
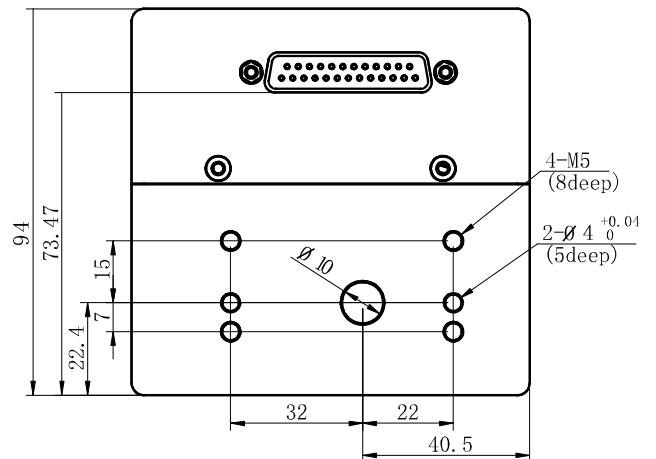
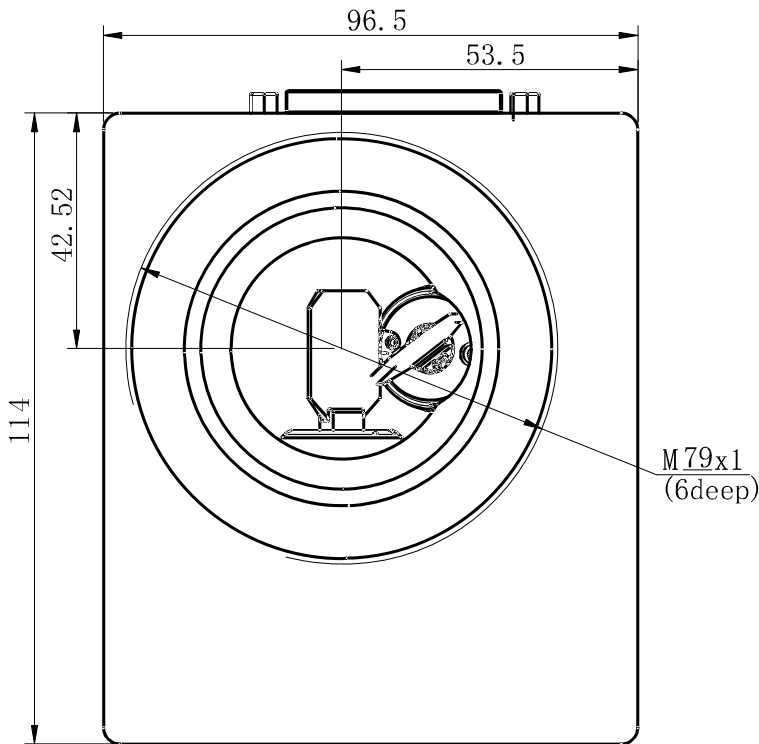
¹with F-theta-lens, f = 160 mm

³Drift per axis

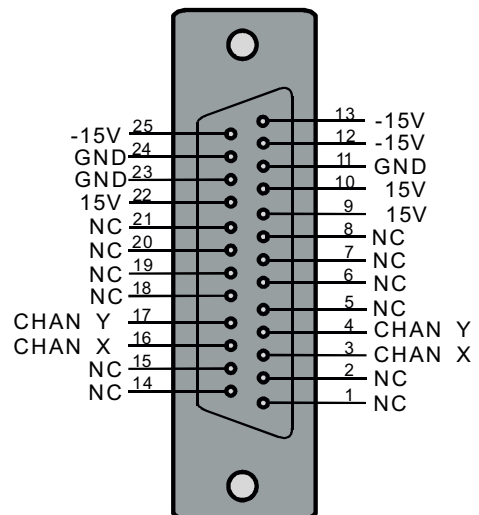
²Single-stroke font, 1 mm height

⁴ After warming-up

innoSCAN 10/10-R



25 pin female D SUB connector
DIGITAL



25 pin female D SUB connector
ANALOG