

YFPN-500-GMC

MOPA FIBER LASER FOR CLEANING
Data sheet V 1.0

Features

- » MOPA Technology
- » TOP-HAT beam
- » Short pulse setup
- » Very competitive price
- » Pulse width modifiable



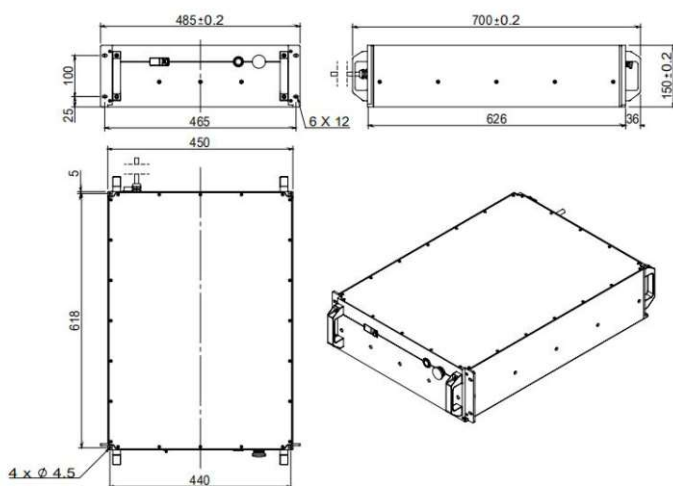
TECHNICAL SPECIFICATIONS

Central Wavelength	1060-1080 nm	Spectral width @3dB	<30nm
Output power	500 W	QBH divergence	<200 mrad
Max. pulse energy	12 mJ	Delivery cable	10 m
Range of power	0-100 %	Supply voltage DC	230 VAC/48 VDC
Repetition frequency	1-1000 kHz	Current consumption	<8 / <37 A
Full power frequency	41-1000 kHz	Power consumption	<1760 W
Pulse width	10-500 ns	Operating temperature	0 - 40 °C
Power instability	<5 %	Storage temperature	-10 - 60 °C
Beam quality	<5 mm*mrad	Colling method	Water
Laser switching ON/OFF time	<100 µs	Water chiller temperature	28 °C (Laser) 30 °C (QBH)
Laser dimension (mm)	700x485x150 (230V) 473x485x82 (48V)	Water chiller flow	>8 L/min
Net weight	<35 kg	Pipe diameter	10 mm Laser/ 6mm QBH

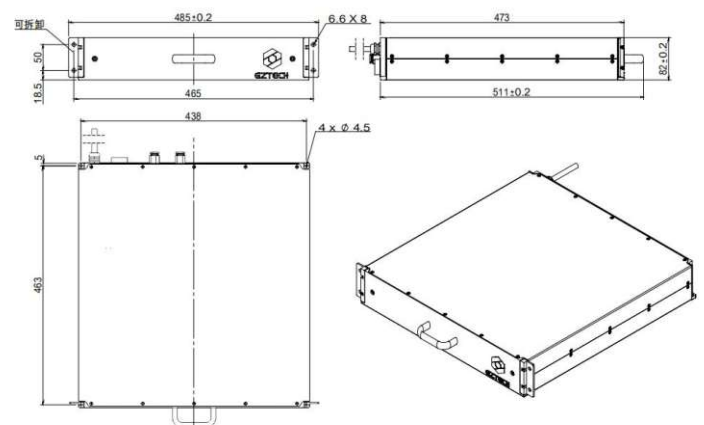
YFPN-500-GMC

Pulse width corresponds to the power reduction frequency point and the maximum single pulse energy

Pulse width (ns)	Power reduction frequency (kHz)	Upper frequency limit (kHz)	Max. single pulse energy (mJ)
10	800	1000	0.63
30	300	1000	1.67
60	150	1000	3.33
80	120	1000	4.17
100	80	1000	6.25
150	60	1000	8.33
200	55	1000	9.00
300	50	400	10
400	50	400	10
500	41	400	12



Dimension 230V



Dimension 48V