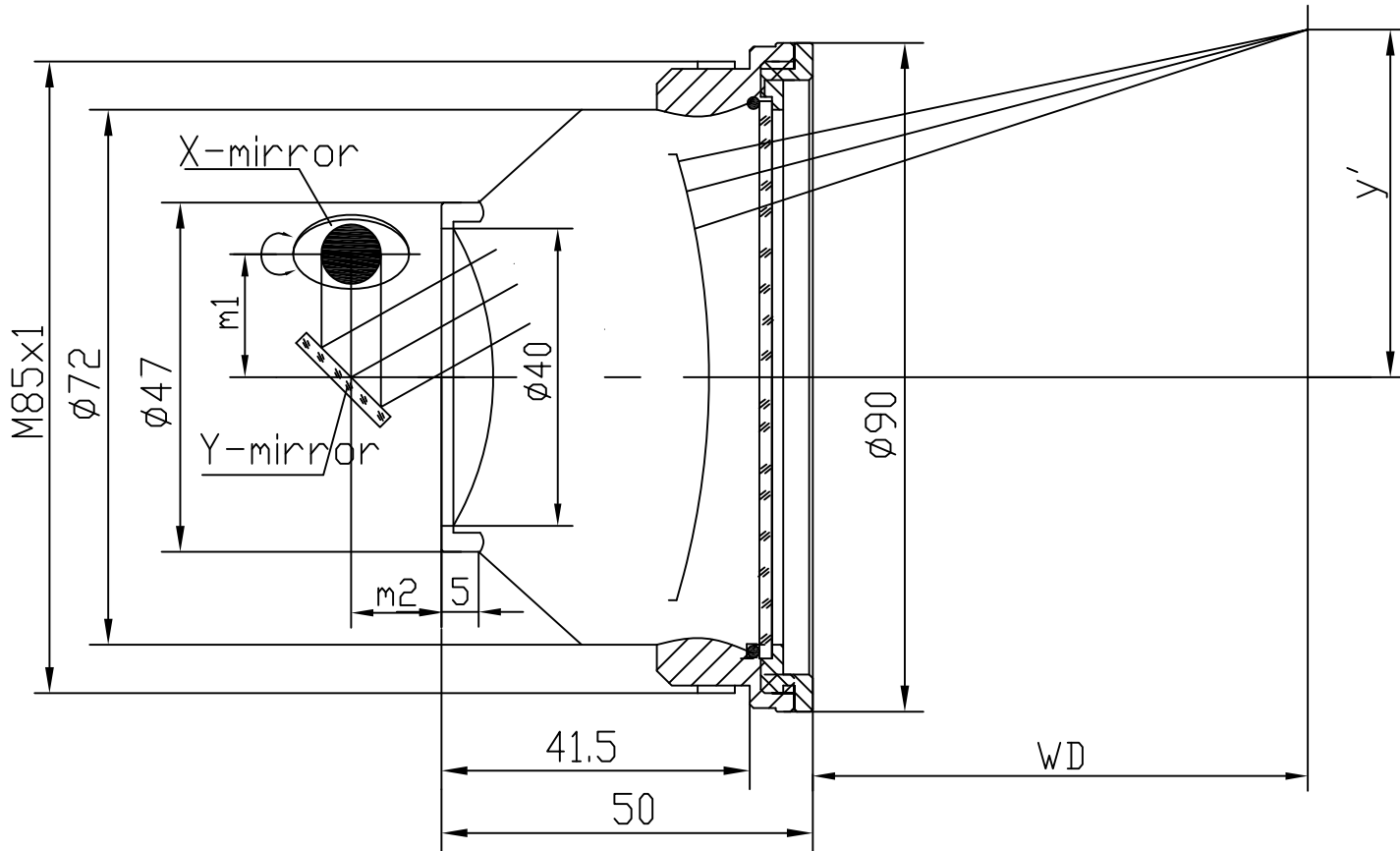


F-Theta f=380mm

Drawing No. SH-1064-250-380-12



| Specification | |
|-----------------------------------|---------------------------|
| EFL | 380mm |
| WD | 414mm |
| Wavelength | $\lambda = 1064\text{nm}$ |
| scan angle | $\pm 28^\circ$ |
| max scan field | 250mm x 250mm |
| Entrance beam diameter ϕ | 12mm |
| Center point diameter ($1/e^2$) | 62 μm |
| Edge point diameter ($1/e^2$) | 64 μm |
| mirror distance m1 | 16-20 |
| mirror distance m2 | 10-12 |
| Transmission > | 97% |
| Thread | M85x1 |
| With protective window | yes |