

YFPN-300-GMC-S

MOPA FIBER LASER FOR CLEANING
Data sheet V 1.0

Features

- » MOPA Technology
- » TOP-HAT beam
- » Short pulse setup
- » Very competitive price
- » Pulse width modifiable



TECHNICAL SPECIFICATIONS

Central Wavelength	1060-1080 nm	Spectral width @3dB	<20 nm
Output power	300 W	Beam diameter	5-7 mm
Max. pulse energy	1.5 mJ	Delivery cable	5 m
Range of power	0-100 %	Supply voltage DC	48 VDC
Repetition frequency	1-3000 kHz	Current consumption	<25 A
Pulse width	20-500 ns	Power consumption	<1200 W
Power instability	<5 %	Operating temperature	0 - 35 °C
Beam quality	<1.8 M ²	Storage temperature	-10 - 60 °C
Laser switching ON/OFF	<20 µs	Colling method	Air
Laser dimension (mm)	443x315x121		
QCS dimension(mm)	Ø17x153		
Net weight	<13 kg		

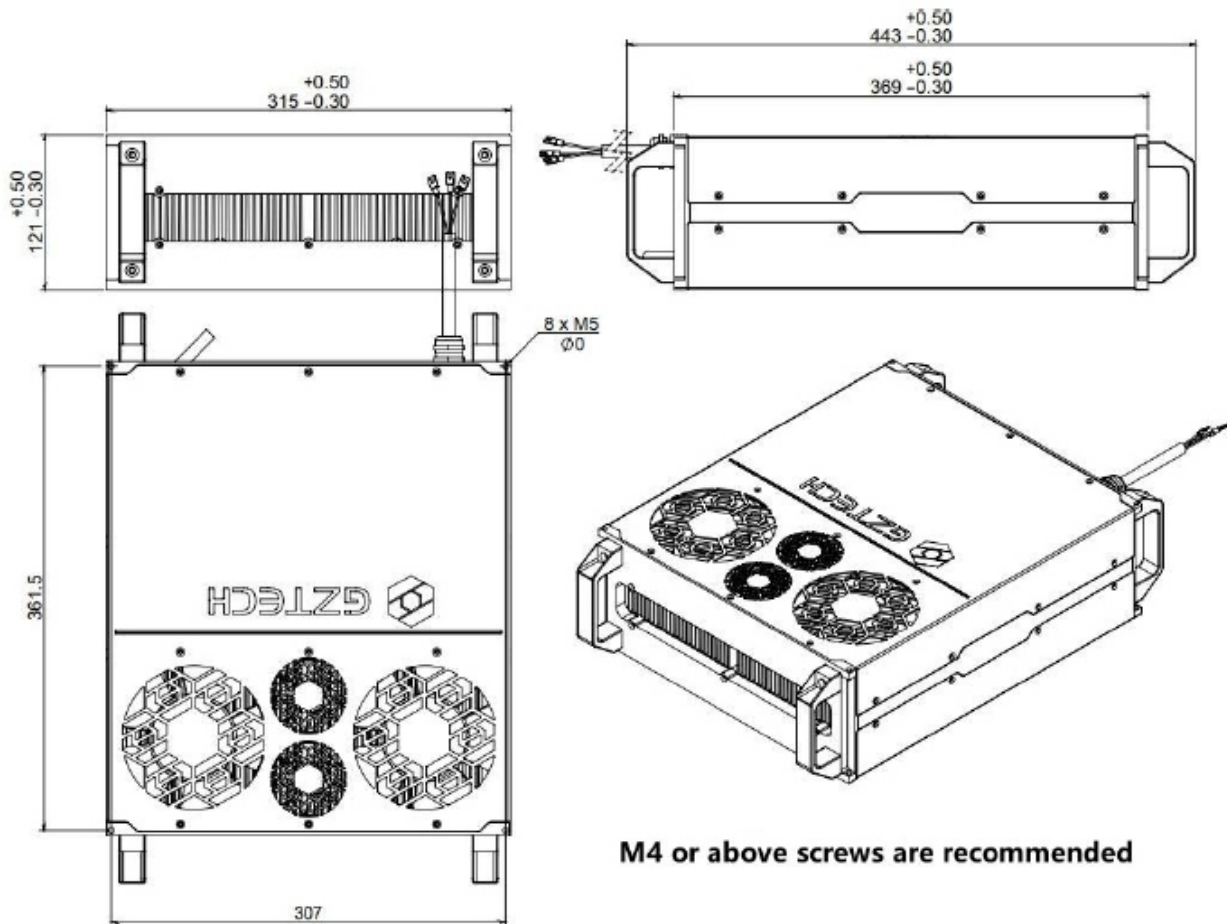
YFPN-300-GMC-S

Pulse width corresponds to the power reduction frequency point and the maximum single pulse energy

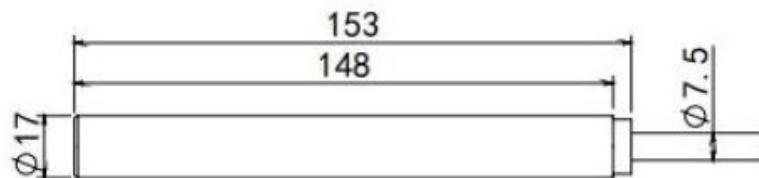
Pulse width (ns)	Power reduction frequency (kHz)	Upper frequency limit (kHz)	Max. single pulse energy (mJ)
1	/	/	/
20	480	3000	0.11
30	180	3000	0.14
40	115	2000	0.17
50	95	2000	0.25
60	65	2000	0.30
70	50	2000	0.33
80	33	2000	0.42
90	30	1000	0.43
100	650	1000	0.46
150	450	1000	0.67
200	300	1000	1.00
250	260	600	1.15
350	240	600	1.25
450	200	600	1.50
500	200	500	1.50

YFPN-300-GMC-S

Laser Specification and Dimension



Laser Dimension



QCS Dimension