

innoSCAN - 10mini

Features

- » High precision
- » Compact construction
- » Sealed housing
- » Competitive price
- » Performance improvement



TECHNICAL SPECIFICATIONS

| | |
|--------------------------------|--------------------------|
| Input Aperture | 10 mm |
| Wavelength | 355, 532, 1064, 10600 nm |
| Tracking error time | 0.17 ms |
| Writing Speed ^{1 2} | > 640 cps |
| Positioning Speed ¹ | > 7 m/s |
| Typical Deflection | ± 0.35 rad |
| Resolution | 16 bit |
| Repeatability (RMS) | < 20 µrad |
| Max. Gaindrift ³ | 100 ppm/K |
| Max. Offsetdrift ³ | 50 µrad/K |

¹ with F-theta-lens, f = 160 mm

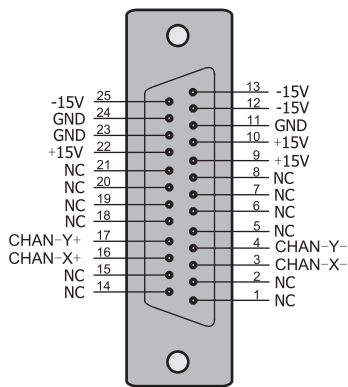
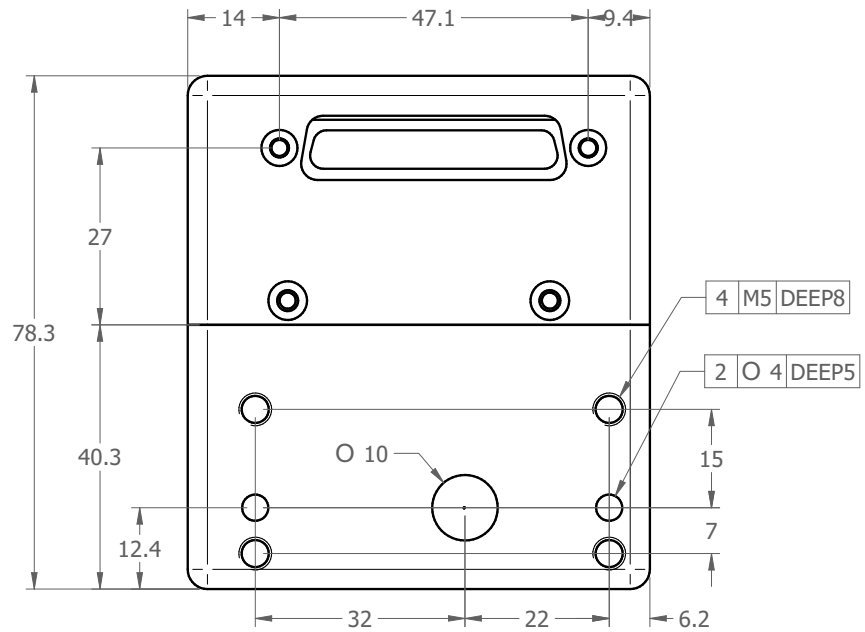
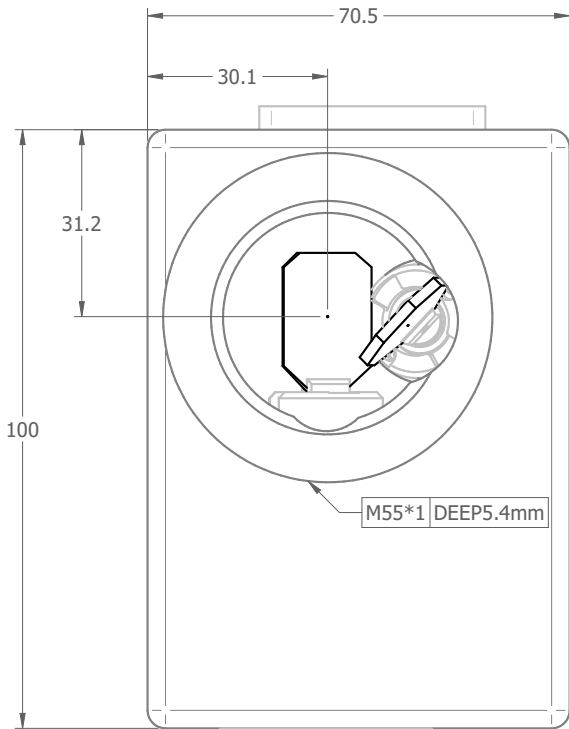
² Single-stroke font , 1 mm height

| | |
|-----------------------------------|----------------------|
| Long-Term Drift (8h) ³ | < 0,3 mrad |
| Zero Offset | < 6 µrad |
| Digital Interface | XY2-100 Protocol |
| Analog Interface | ±5V |
| Ambient Temperature | +15 to +35 °C |
| Storage Temperature | -20 to +60 °C |
| Humidity | ≤ 80% Non-condensing |
| Voltage / Current | 15 V± DC / max. 3A |
| Weight | ca. 0.7 kg |
| Dimensions L x W x H | 100 x 70.5 x 78.3 mm |

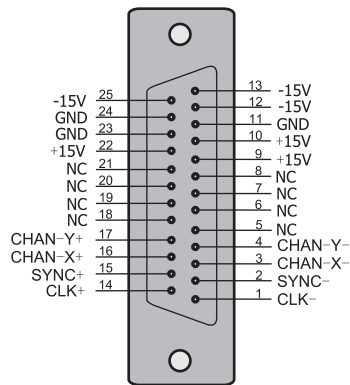
³ Drift per axis

⁴ After warming-up

innoSCAN - 10mini



(ANALOG)



25-pin female D-SUB connector
(DIGITAL)