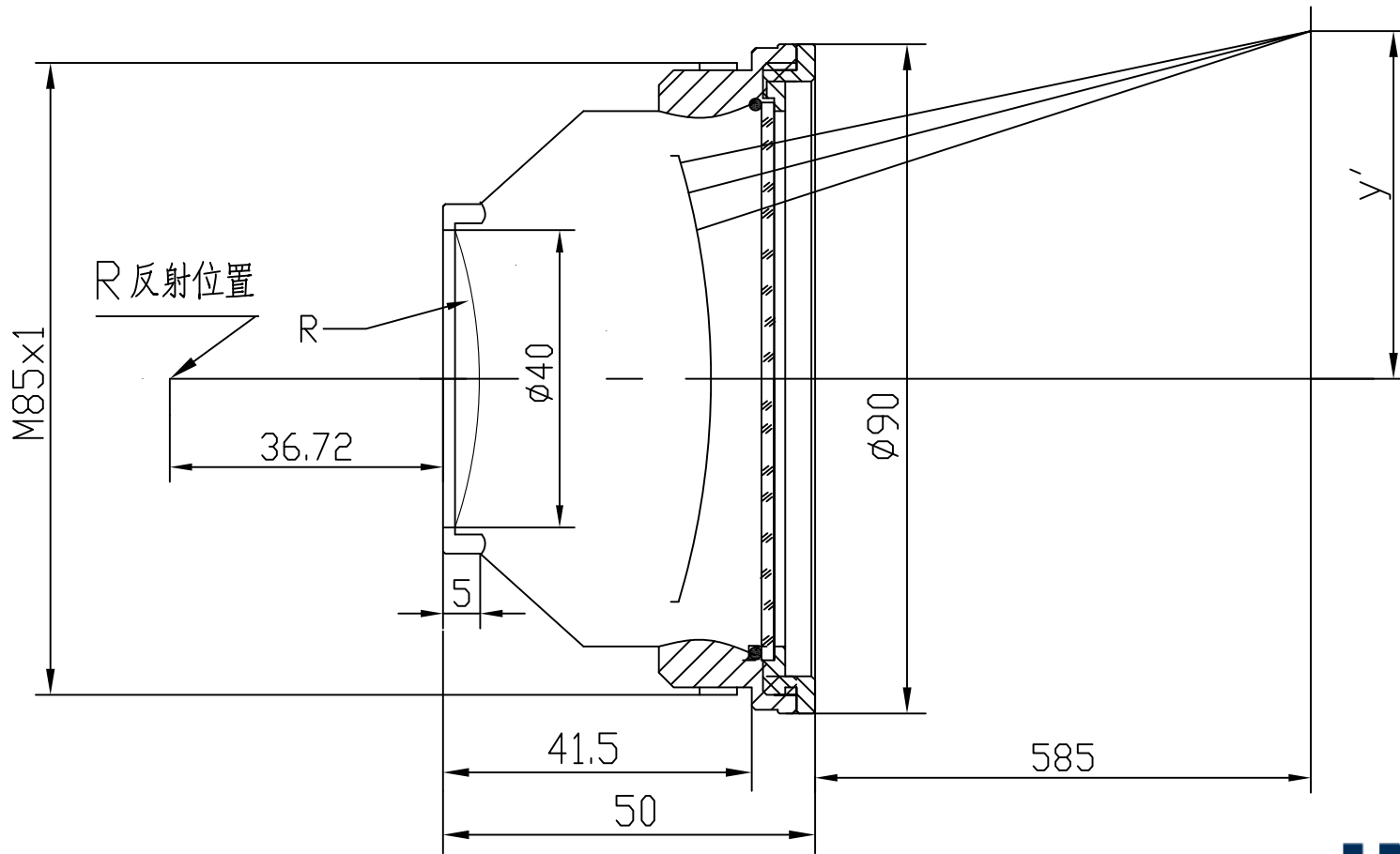


F-Theta f=510mm

Drawing No. SH-355-360-510-8



Specification	
EFL	510mm
WD	585mm
Wavelength	$\lambda = 355\text{nm}$
scan angle	$\pm 25^\circ$
max scan field	360mm x 360mm
Entrance beam diameter \varnothing	8mm
Center point diameter ($1/e^2$)	42 μm
Edge point diameter ($1/e^2$)	44 μm
mirror distance m1	13
mirror distance m2	12
Transmission >	97%
Thread	M85x1
With protective window	yes