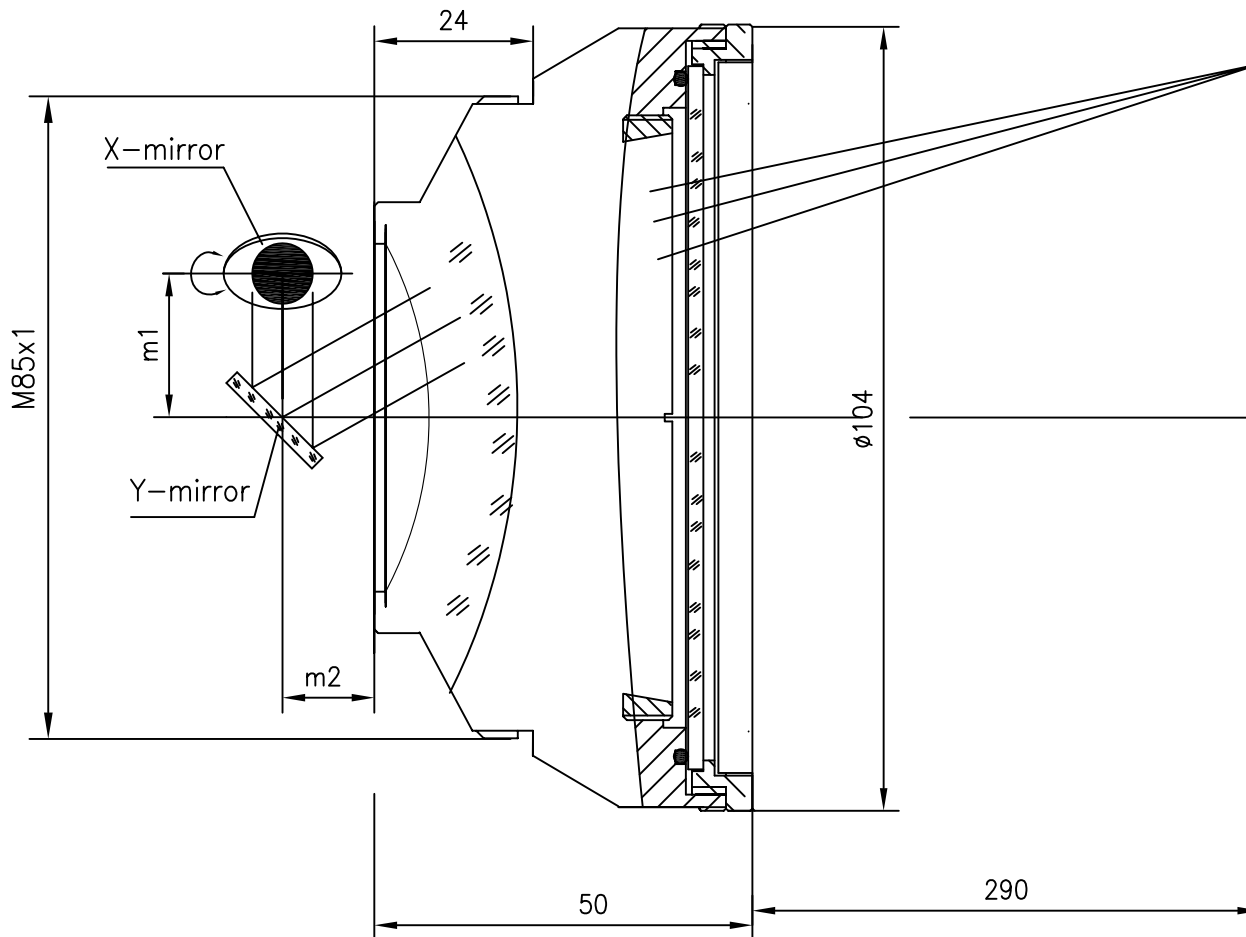


# F-Theta f=254mm

## Drawing No. SH-1064-175-254-20



### Specification

EFL	254mm
S	290mm
Wavelength	$\lambda = 1064\text{nm}$
scan angle	$\pm 28^\circ$
max scan field	175mm x 175mm
Entrance beam diameter $\varnothing$	20mm
Center point diameter ( $1/e^2$ )	25 $\mu\text{m}$
Edge point diameter ( $1/e^2$ )	26 $\mu\text{m}$
mirror distance m1	24
mirror distance m2	18
Transmission >	97%
Thread	M85x1
With protective window	yes