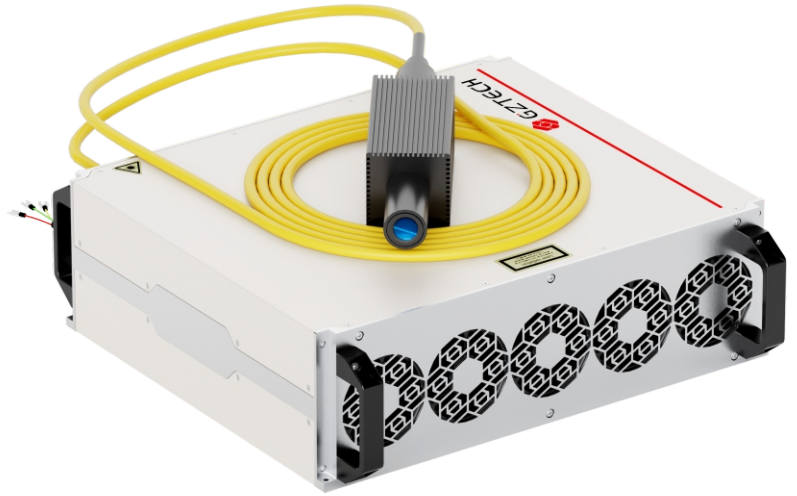


YFPN-1000-GM

MOPA FIBER LASER, LR05101W
Data sheet V 1.0

Features

- » MOPA Technology
- » Short pulse setup
- » Very competitive price
- » Pulse width modifiable



TECHNICAL SPECIFICATIONS

Central Wavelength	1060-1080 nm
Output power	1000 W
Max. pulse energy	2 mJ
Range of power	0-100 %
Repetition frequency	1-6000 kHz
Pulse width	20-500 ns
Power instability	<5 %
Beam quality	<1.8 M ²
Laser switching ON/OFF time	<20 μs
Laser dimension (mm)	692x485x130
Net weight	<40 kg

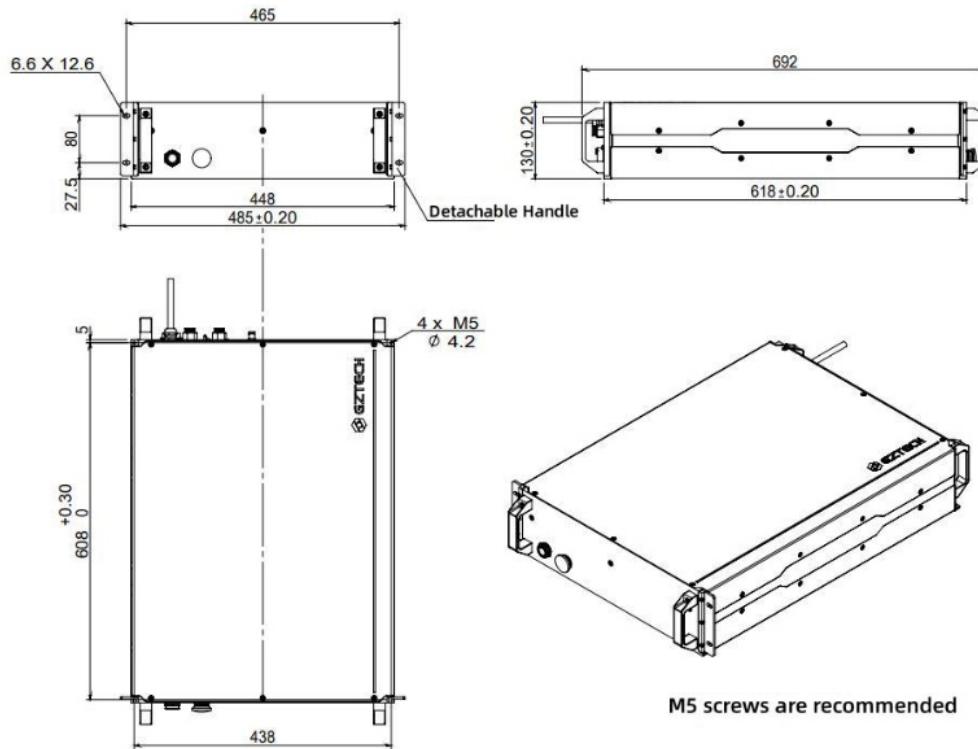
Spectral width @3dB	<20 nm
Polarization	Random
Beam diameter	9-11 mm
Delivery cable	5 m
Supply voltage AC	220 VAC
Current consumption	<16 A
Power consumption	<3520 W
Operating temperature	0 - 40 °C
Storage temperature	-10 - 60 °C
Colling method	Water
Isolator dimension	297x70x76mm

YFPN-1000-GM

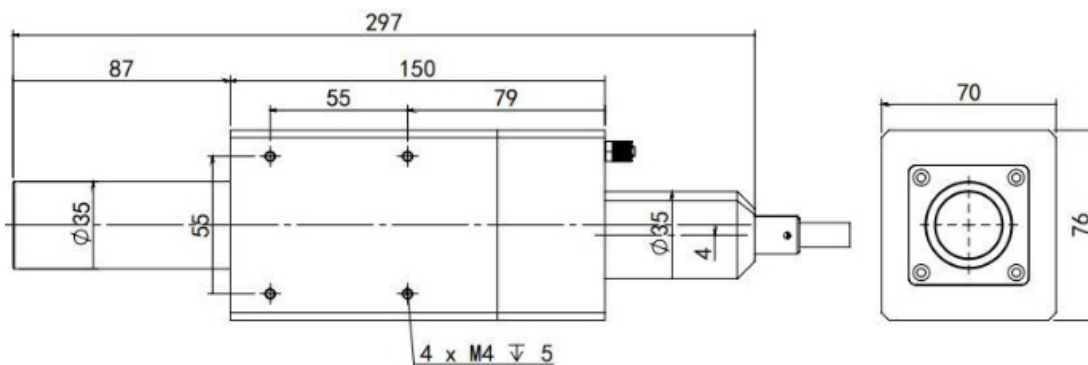
Pulse width corresponds to the power reduction frequency point and the maximum single pulse energy

Pulse width (ns)	Power reduction frequency (kHz)	Upper frequency limit (kHz)	Max. single pulse energy (mJ)
1 (CW)	/	/	/
20	5000	6000	0.20
30	4000	6000	0.25
40	3200	4000	0.31
50	3050	4000	0.33
60	2800	3000	0.36
80	2200	3000	0.45
90	2000	3000	0.50
100	1600	2000	0.63
120	1450	2000	0.69
150	1250	2000	0.80
200	1000	1500	1.00
250	850	1000	1.04
350	700	900	1.25
450	600	700	1.67
500	500	600	2.00

YFPN-1000-GM



Laser dimension



Isolator