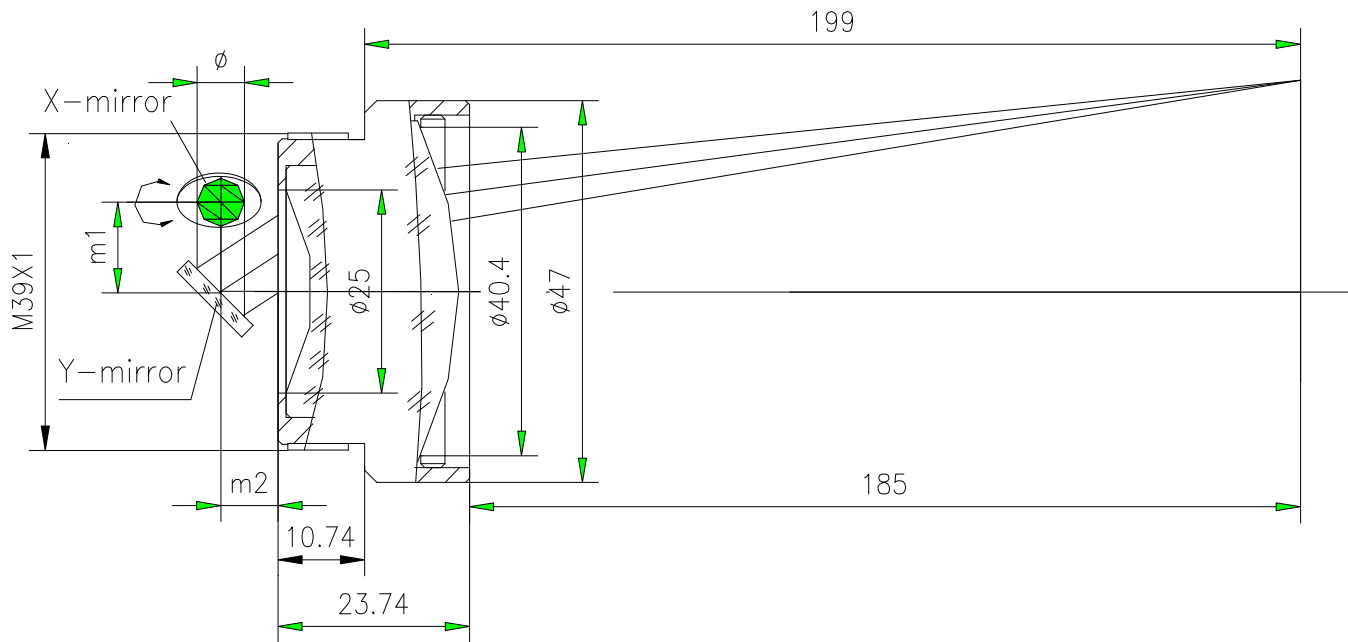


F-Theta f=160mm

Drawing No. SH39-1064-105-160-8



Specification

| | |
|-----------------------------------|---------------------------|
| EFL | 160mm |
| WD | 185mm |
| Wavelength | $\lambda = 1064\text{nm}$ |
| scan angle | $\pm 27^\circ$ |
| max scan field | 105mm x 105mm |
| Entrance beam diameter ϕ | 8mm |
| Center point diameter ($1/e^2$) | 39 μm |
| Edge point diameter ($1/e^2$) | 41 μm |
| mirror distance m_1 | 10-12 |
| mirror distance m_2 | 7-9 |
| Transmission > | 98% |
| Thread | M39x1 |
| With protective window | no |