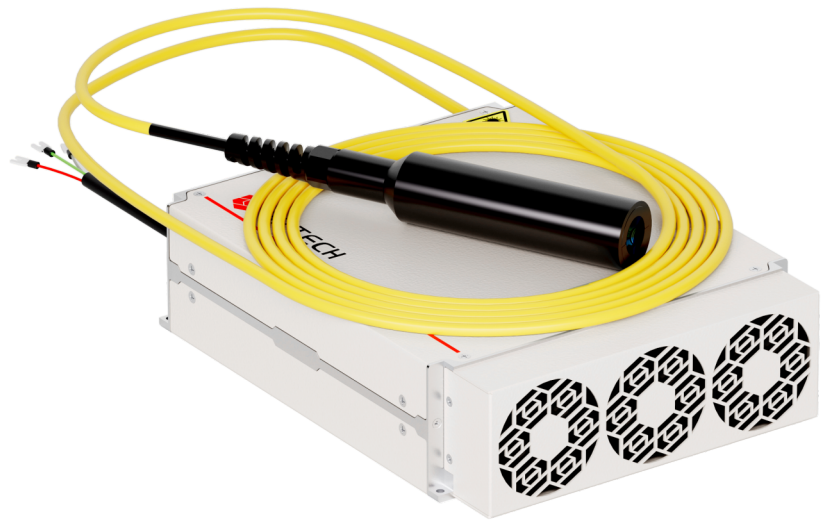


## YFPN-30-GME

MOPA FIBER LASER  
Data sheet V 1.0

### Features

- » MOPA Technology
- » Large Frequency Range
- » Short pulse setup
- » optimized optical quality
- » Pulse width modifiable



## TECHNICAL SPECIFICATIONS

Central Wavelength	1060-1080 nm	Spectral width @3dB	<15nm
Output power	30 W	Beam diameter	7±0.5 mm
Max. pulse energy	0.8 mJ	Delivery cable	2 m <sup>(1)</sup>
Range of power	0-100 %	Supply voltage DC	24 V
Repetition frequency	1-3000 kHz	Current consumption	<6 A
Full power frequency	37-3000 kHz	Power consumption	<144 W
Pulse width	2-500 ns	Operating temperature	0 - 40 °C
Power instability	<5 %	Storage temperature	-10 - 60 °C
Beam quality	<1.35 M <sup>2</sup>	Colling method	Air
Laser switching ON/OFF time	<20 µs	Laser dimension	269.5x210.5x69.5 mm

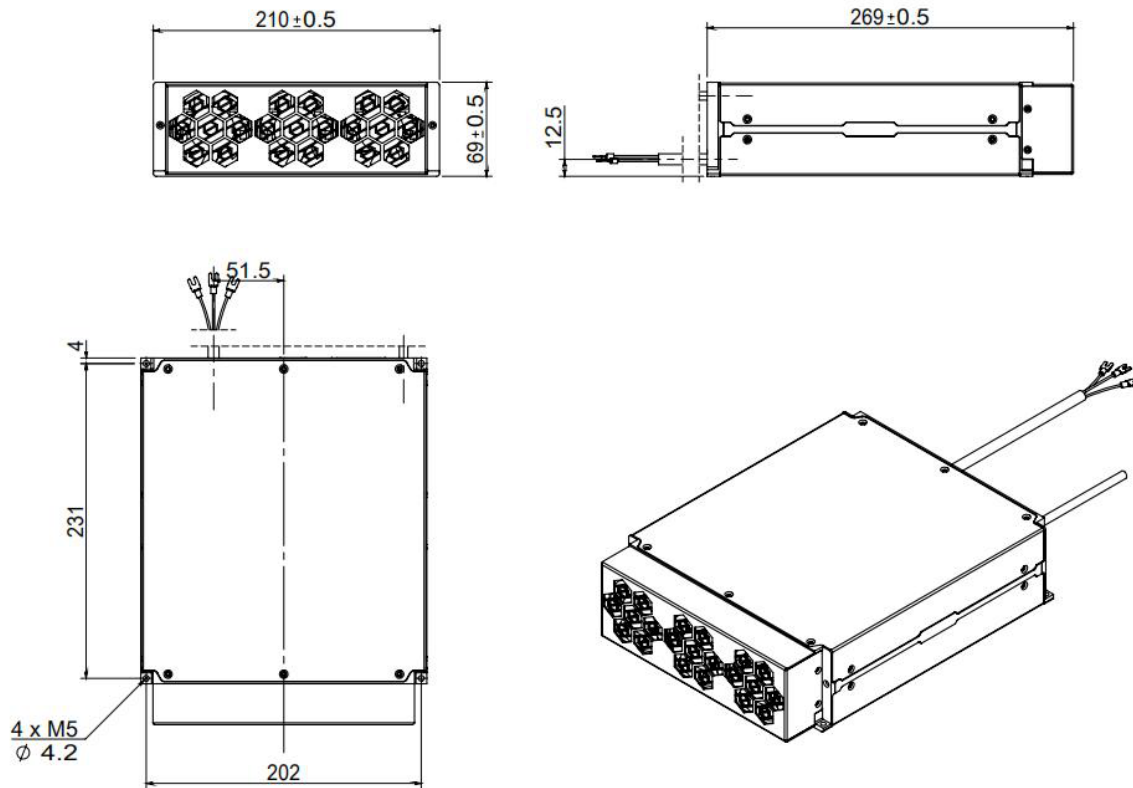
<sup>(1)</sup>Available fiber lengths: 3m / 5m

# YFPN-30-GME

Pulse width corresponds to the power reduction frequency point and the maximum single pulse energy

Pulse width (ns)	Power reduction frequency (kHz)	Upper frequency limit (kHz)	Max. single pulse energy (mJ)
2	1280	3000	0.02
4	750	3000	0.04
6	450	3000	0.07
9	360	3000	0.08
12	240	3000	0.13
20	165	3000	0.18
30	130	3000	0.23
45	110	2000	0.27
60	95	2000	0.32
80	90	2000	0.33
100	80	1000	0.38
150	45	1000	0.67
200	37	1000	0.80
250	37	1000	0.80
350	37	600	0.80
450	37	500	0.80
500	37	500	0.80

## YFPN-30-GME



### Laser dimension

