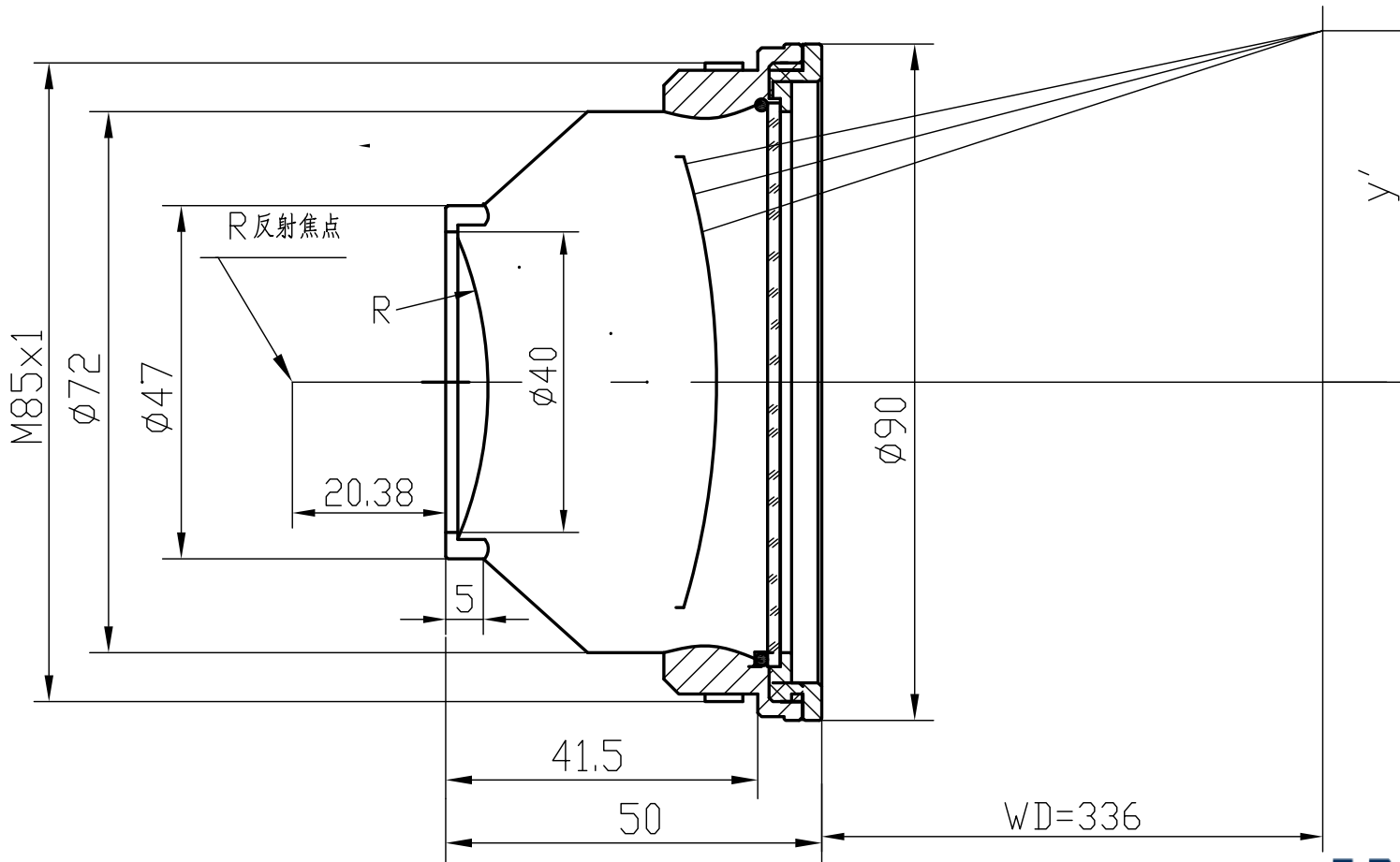


F-Theta f=290mm

Drawing No. SH-355-200-290-10



Specification	
EFL	290mm
WD	336mm
Wavelength	$\lambda = 355\text{nm}$
scan angle	$\pm 25^\circ$
max scan field	200mm x 200mm
Entrance beam diameter ϕ	10mm
Center point diameter ($1/e^2$)	19 μm
Edge point diameter ($1/e^2$)	23 μm
mirror distance m1	13
mirror distance m2	10-12
Transmission >	97%
Thread	M85x1
With protective window	yes