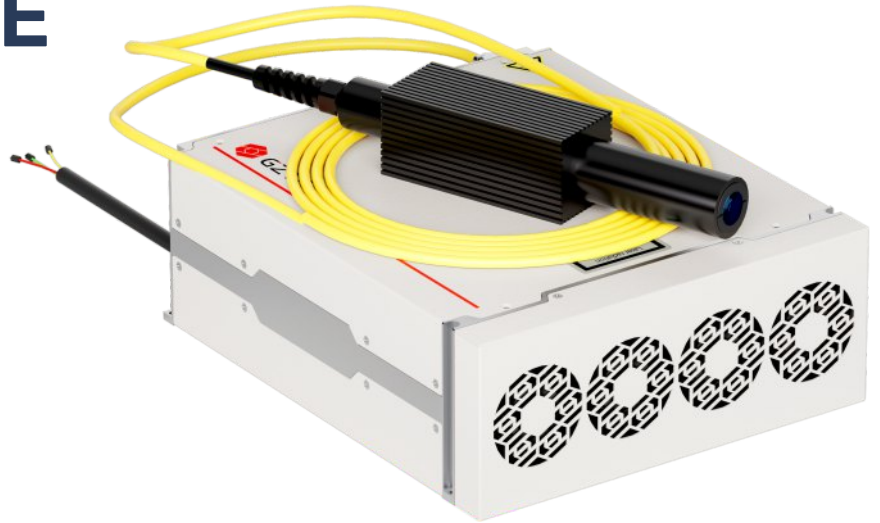


YFPN-80-GME

MOPA FIBER LASER
Data sheet V 1.0

Features

- » MOPA Technology
- » Large Frequency Range
- » Short pulse setup
- » optimized optical quality
- » Pulse width modifiable



TECHNICAL SPECIFICATIONS

Central Wavelength	1060-1080 nm	Spectral width @3dB	<15nm
Output power	20 W	Beam diameter	7±1 mm
Max. pulse energy	1.5 mJ	Delivery cable	3 m ⁽¹⁾
Range of power	0-100 %	Supply voltage DC	24/48 V
Repetition frequency	1-3000 kHz	Current consumption	<14 A (24V)
Full power frequency	53-3000 kHz		<7 A (48V)
Pulse width	2-500 ns	Power consumption	<336 W
Power instability	<5 %	Operating temperature	0 - 40 °C
Beam quality	<1.8 M ²	Storage temperature	-10 - 60 °C
Laser switching ON/OFF time	<20 µs	Colling method	Air
		Laser dimension	320.5x280.2x80.2 mm (24V)
			338.5x301x95.8 mm (48V)

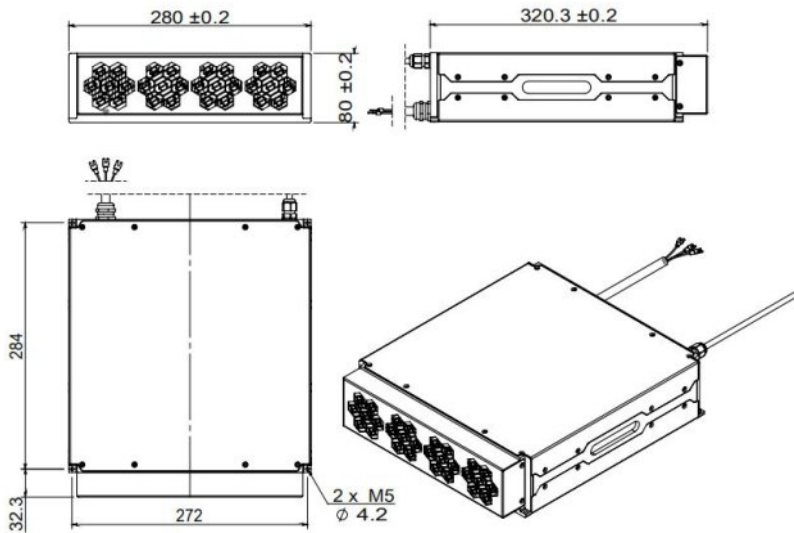
⁽¹⁾Available fiber lengths: 3m / 5m

YFPN-80-GME

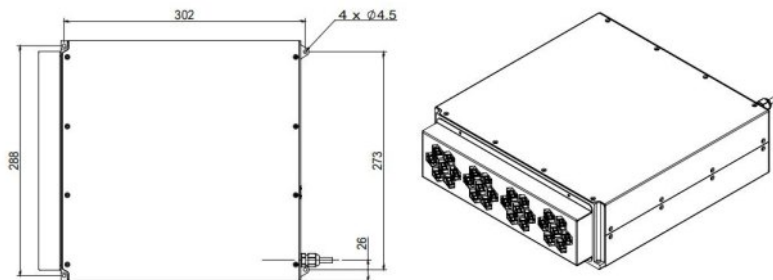
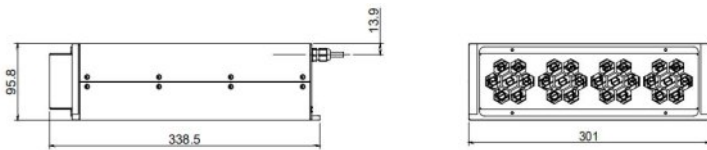
Pulse width corresponds to the power reduction frequency point and the maximum single pulse energy

Pulse width (ns)	Power reduction frequency (kHz)	Upper frequency limit (kHz)	Max. single pulse energy (mJ)
1 (CW)	/	/	/
2	1600	3000	0.05
4	1300	3000	0.06
6	740	3000	0.11
9	550	3000	0.15
12	400	3000	0.20
20	230	3000	0.35
30	170	3000	0.47
45	150	2000	0.53
60	115	2000	0.70
80	110	2000	0.73
100	100	1000	0.80
150	80	1000	1.00
200	66	1000	1.20
250	66	1000	1.20
350	66	600	1.20
450	53	500	1.50
500	53	500	1.50

YFPN-80-GME

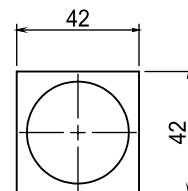
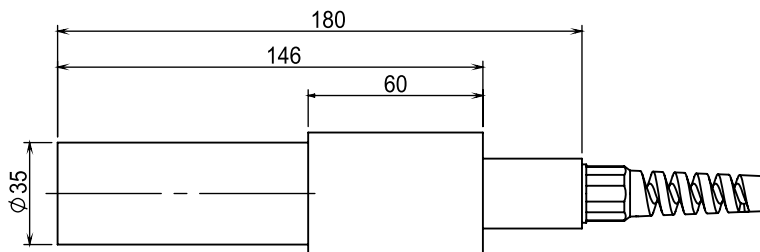


24V



48V

推荐固定螺丝：M4*12



Isolator