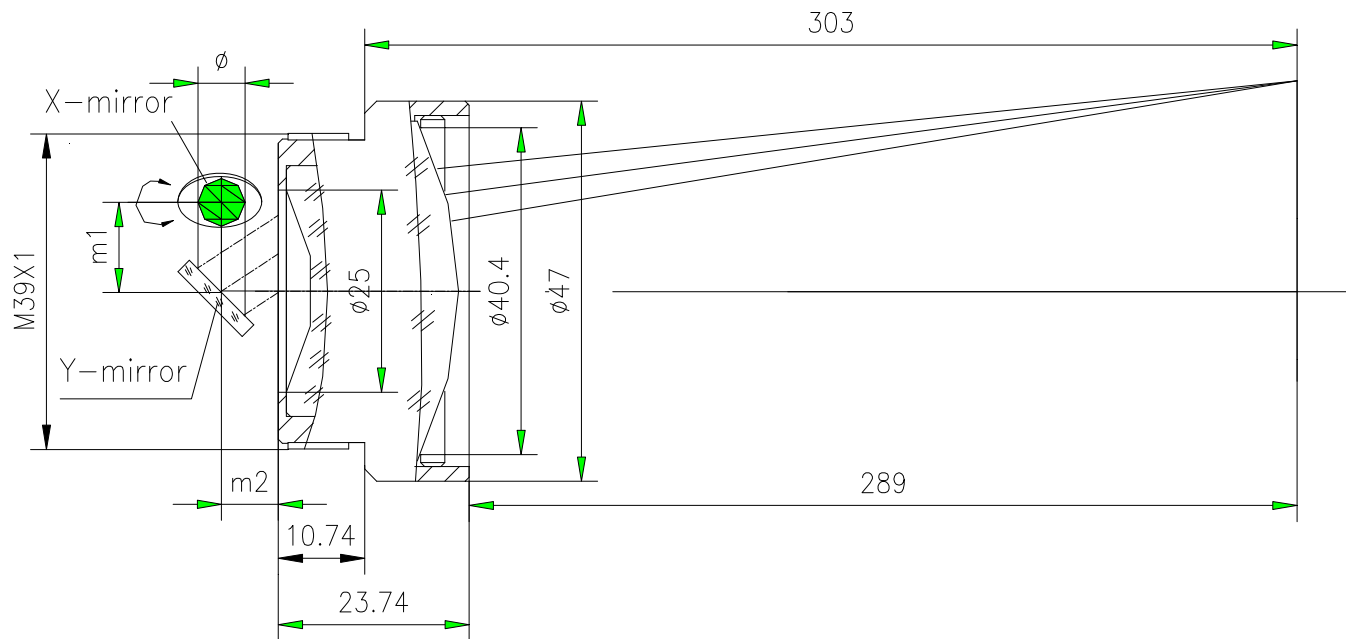


# F-Theta f=254mm

## Drawing No. SH39-1064-160-254-8



### Specification

EFL	254mm
WD	289mm
Wavelength	$\lambda = 1064\text{nm}$
scan angle	$\pm 27^\circ$
max scan field	160mm x 160mm
Entrance beam diameter $\phi$	8mm
Center point diameter ( $1/e^2$ )	62 $\mu\text{m}$
Edge point diameter ( $1/e^2$ )	64 $\mu\text{m}$
mirror distance m1	10-12
mirror distance m2	7-9
Transmission >	98%
Thread	M39x1
With protective window	no