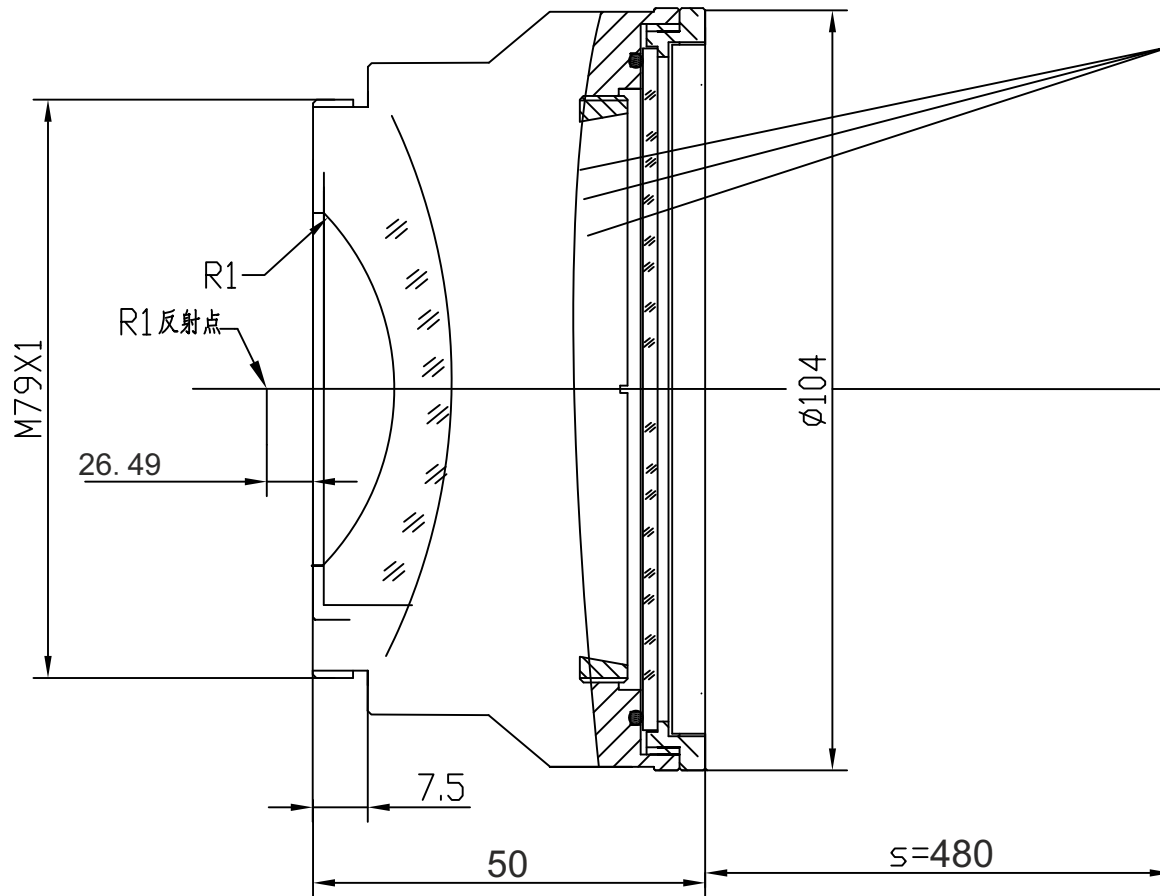


F-Theta f=420mm

Drawing No. SH79-1064-300-420-20



Specification

| | |
|-----------------------------------|---------------------------|
| EFL | 420mm |
| S | 480mm |
| Wavelength | $\lambda = 1064\text{nm}$ |
| scan angle | $\pm 28^\circ$ |
| max scan field | 300mm x 300mm |
| Entrance beam diameter ϕ | 20mm |
| Center point diameter ($1/e^2$) | 41 μm |
| Edge point diameter ($1/e^2$) | 43 μm |
| mirror distance m1 | 18 |
| mirror distance m2 | 24 |
| Transmission > | 98% |
| Thread | M79x1 |
| With protective window | yes |