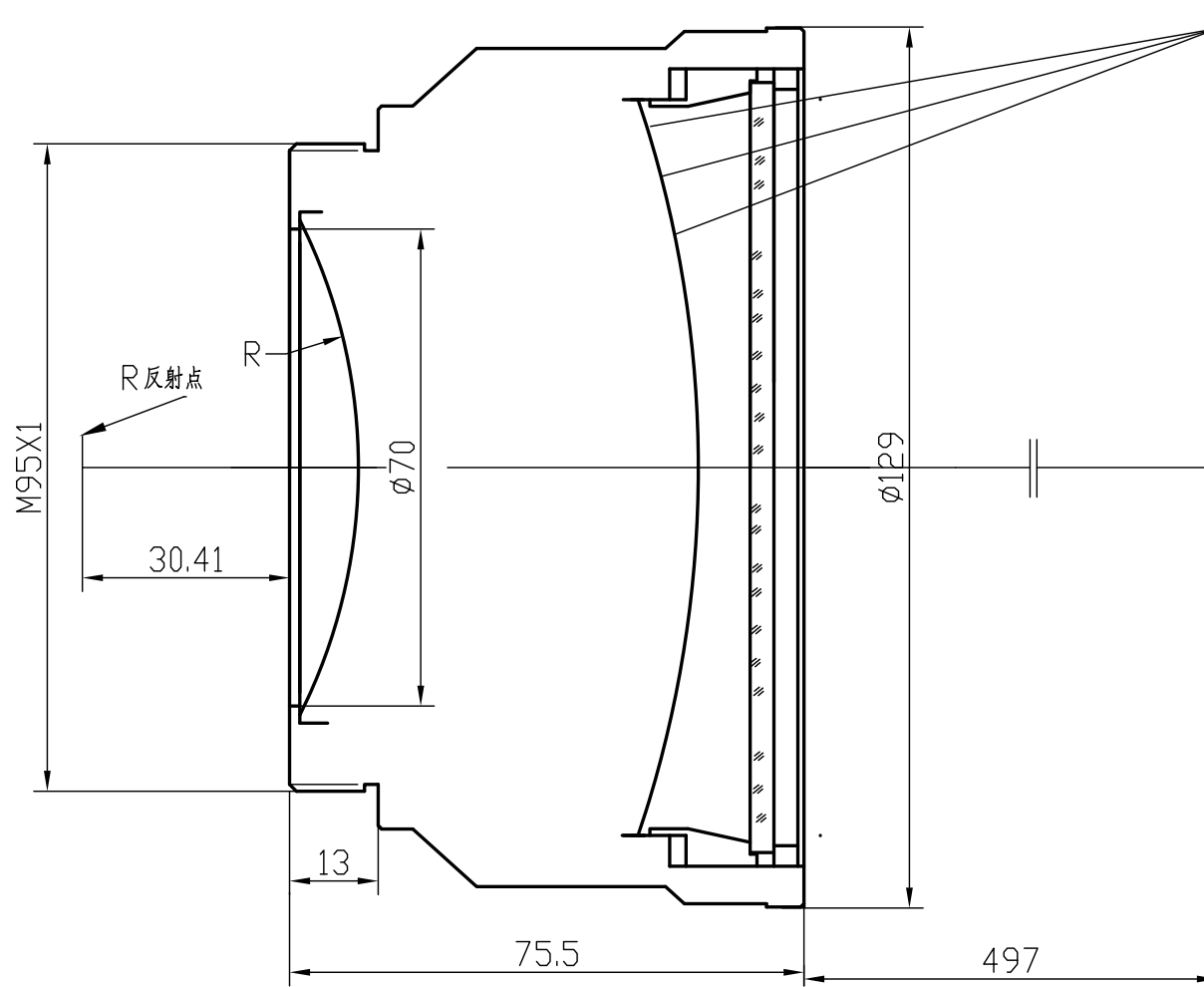


# F-Theta f=420mm Fused Silica

Drawing No. SH95-1064-255-420-30-FS



Specification	
EFL	420mm
S	497mm
Wavelength	$\lambda = 1064\text{nm}$
scan angle	$\pm 25^\circ$
max scan field	255mm x 255mm
Entrance beam diameter $\varnothing$	30mm
Center point diameter ( $1/e^2$ )	33 $\mu\text{m}$
Edge point diameter ( $1/e^2$ )	34 $\mu\text{m}$
mirror distance m1	25-30
mirror distance m2	20-30
Transmission >	97%
Thread	M95x1
With protective window	yes