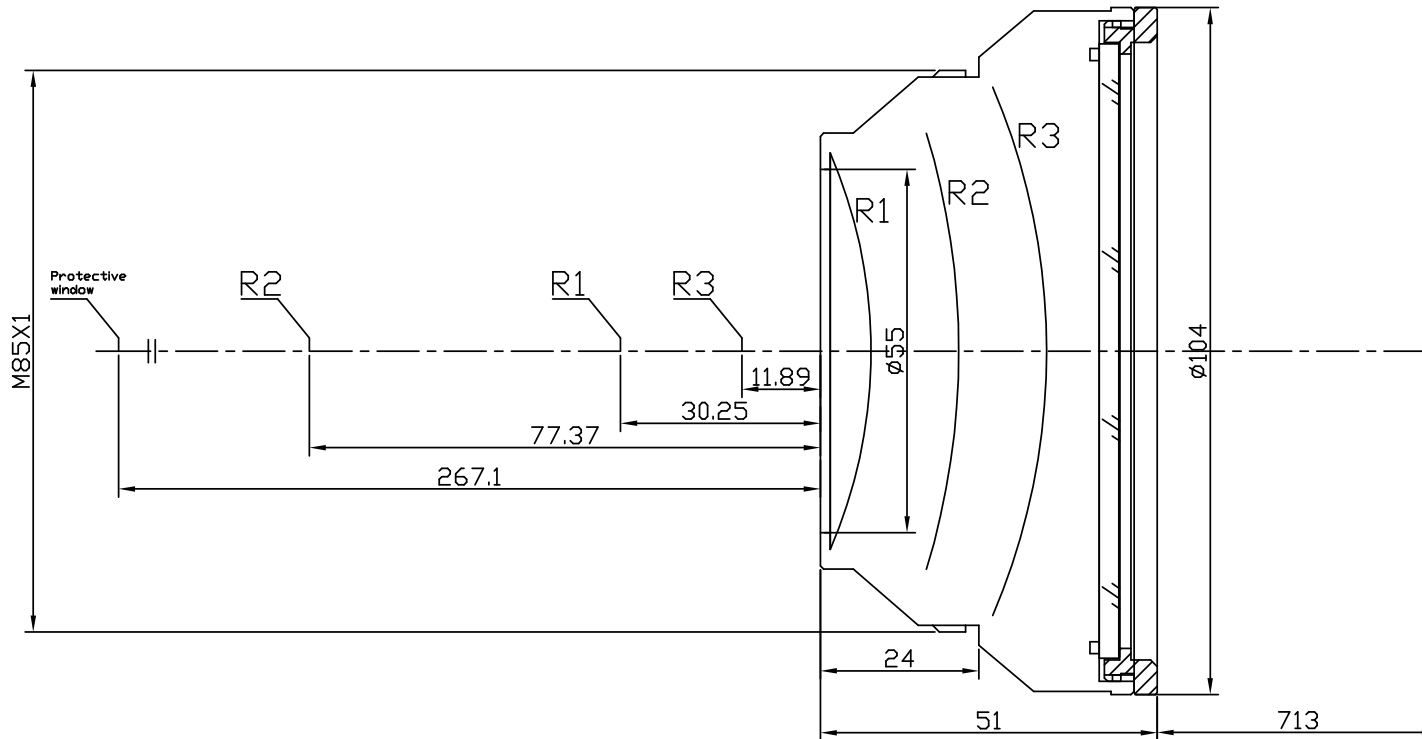


F-Theta f=650mm

Drawing No. SH-980-450-650-20-2Q



Specification

| | |
|---|--------------------------|
| EFL | 650mm |
| S | 713mm |
| Wavelength | $\lambda = 980\text{nm}$ |
| scan angle | $\pm 28^\circ$ |
| max scan field | 450mm x 450mm |
| Entrance beam diameter \varnothing | 20mm |
| Center point diameter (1/e ²) | 58 μm |
| Edge point diameter (1/e ²) | 60 μm |
| mirror distance m1 | |
| mirror distance m2 | 10-23 |
| Transmission > | 98% |
| Thread | M85x1 |
| With protective window | yes |