

## innoSCAN 10/RR

### Features

- » Very competitive price
- » Compact construction
- » Sealed housing



### Specification

| Model                             | innoSCAN 10-RR           |
|-----------------------------------|--------------------------|
| Input Aperture                    | 10 mm                    |
| Wavelength                        | 355, 532, 1064, 10600 nm |
| Tracking error time               | 0.170 ms                 |
| Writing Speed <sup>1,2</sup>      | >450 cps / 1.500 mm/s    |
| Positioning Speed <sup>1</sup>    | >7 m/s                   |
| Typical Deflection                | ± 0.35 rad               |
| Resolution                        | 16 bit                   |
| Repeatability (RMS)               | <22 µrad                 |
| Max. Gaindrift <sup>3</sup>       | 100 ppm/K                |
| Max. Offsetdrift <sup>3</sup>     | 50 µrad/K                |
| Long-Term Drift (8h) <sup>3</sup> | < 0.6 mrad               |
| Zero Offset                       | <5 mrad                  |
| Digital Interface                 | XY2-100 Protocol         |
| Analog Interface                  | ±5 V                     |
| Ambient Temperature               | +15 to +35 °C            |
| Storage Temperature               | -20 to +60 °C            |
| Humidity                          | ≤80% Non-condensing      |
| Voltage / Current                 | 15 V±DC / max. 3A        |
| Weight                            | ca. 1,1 kg               |
| Dimensions                        | 114x94x70.5 mm           |

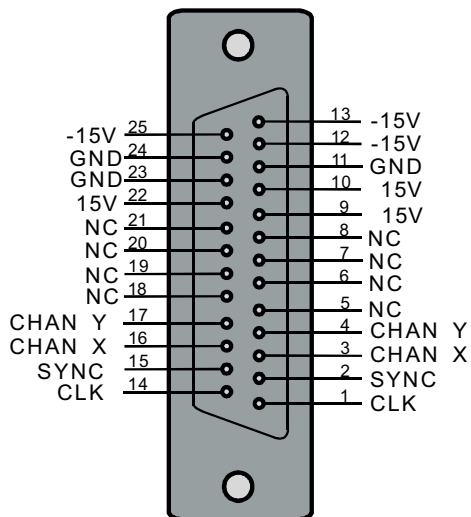
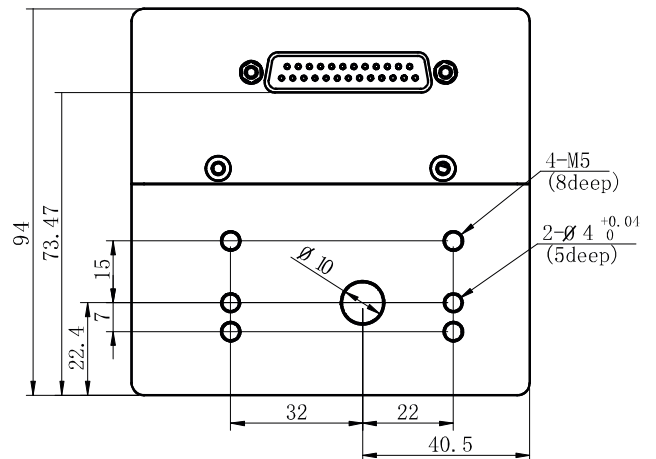
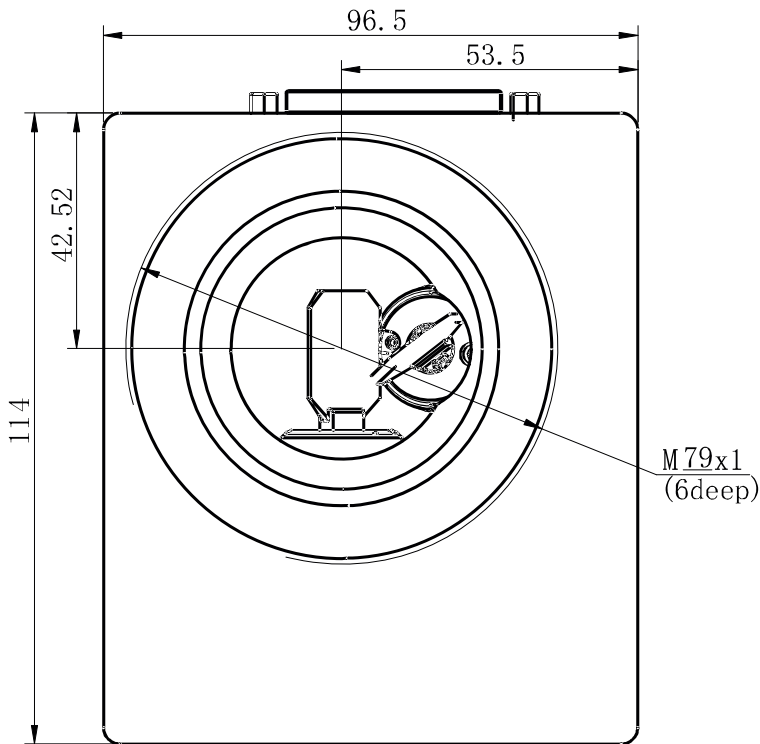
<sup>1</sup>with F-theta-lens, f = 160 mm

<sup>3</sup>Drift per axis

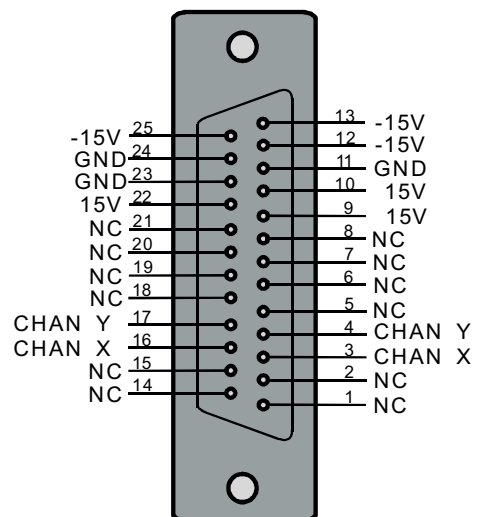
<sup>2</sup>Single-stroke font, 1 mm height

<sup>4</sup> After warming-up

## innoSCAN 10/10-R



25 pin female D SUB connector  
DIGITAL



25 pin female D SUB connector  
ANALOG