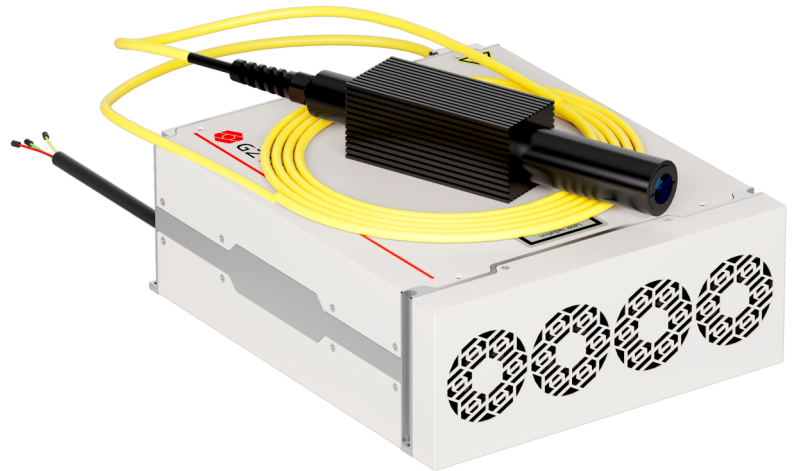


YFPN-100-GLE

MOPA FIBER LASER - LR03071A
Data sheet V 1.0

Features

- » High peak power
- » Large Frequency Range
- » Short pulse setup
- » Optimized optical quality
- » For deep engraving

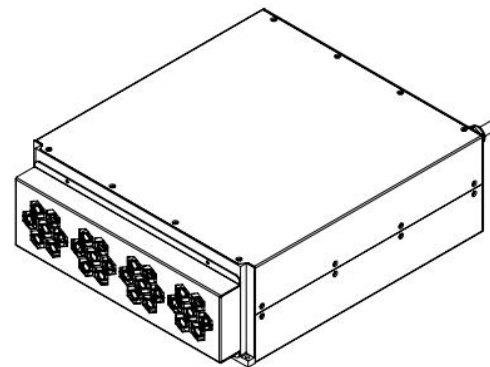
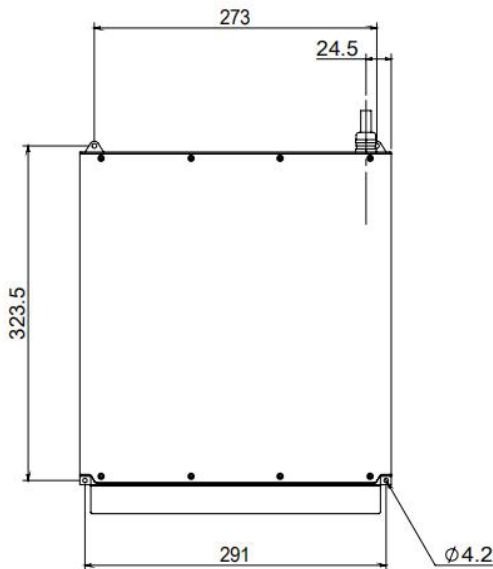
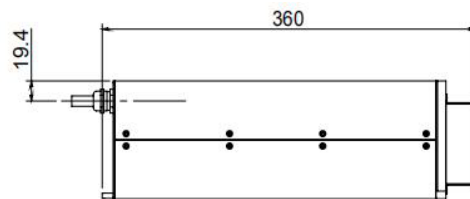
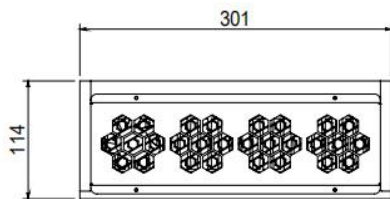


TECHNICAL SPECIFICATIONS

Central Wavelength	1060-1080 nm	Spectral width @3dB	<5nm
Output power	100 W	Beam diameter	5,5-8,5 mm
Max. pulse energy	1.25 mJ@80kHz	Delivery cable	3 m ⁽¹⁾
Range of power	0-100 %	Supply voltage DC	48 V
Repetition frequency	5-200 kHz	Current consumption	<8 A (48V)
Pulse width	100-140 ns@80kHz	Power consumption	<384 W
Power instability	<5 %	Operating temperature	0 - 40 °C
Beam quality	<1.8 M ²	Storage temperature	-10 - 60 °C
Laser switching ON/OFF	<100 µs	Colling method	Air
Net weight	<10 kg	Laser dimension	360x301x114 mm (48V)

⁽¹⁾Available fiber lengths: 3m / 5m

YFPN-100-GME



推荐固定螺丝 : M4*12

