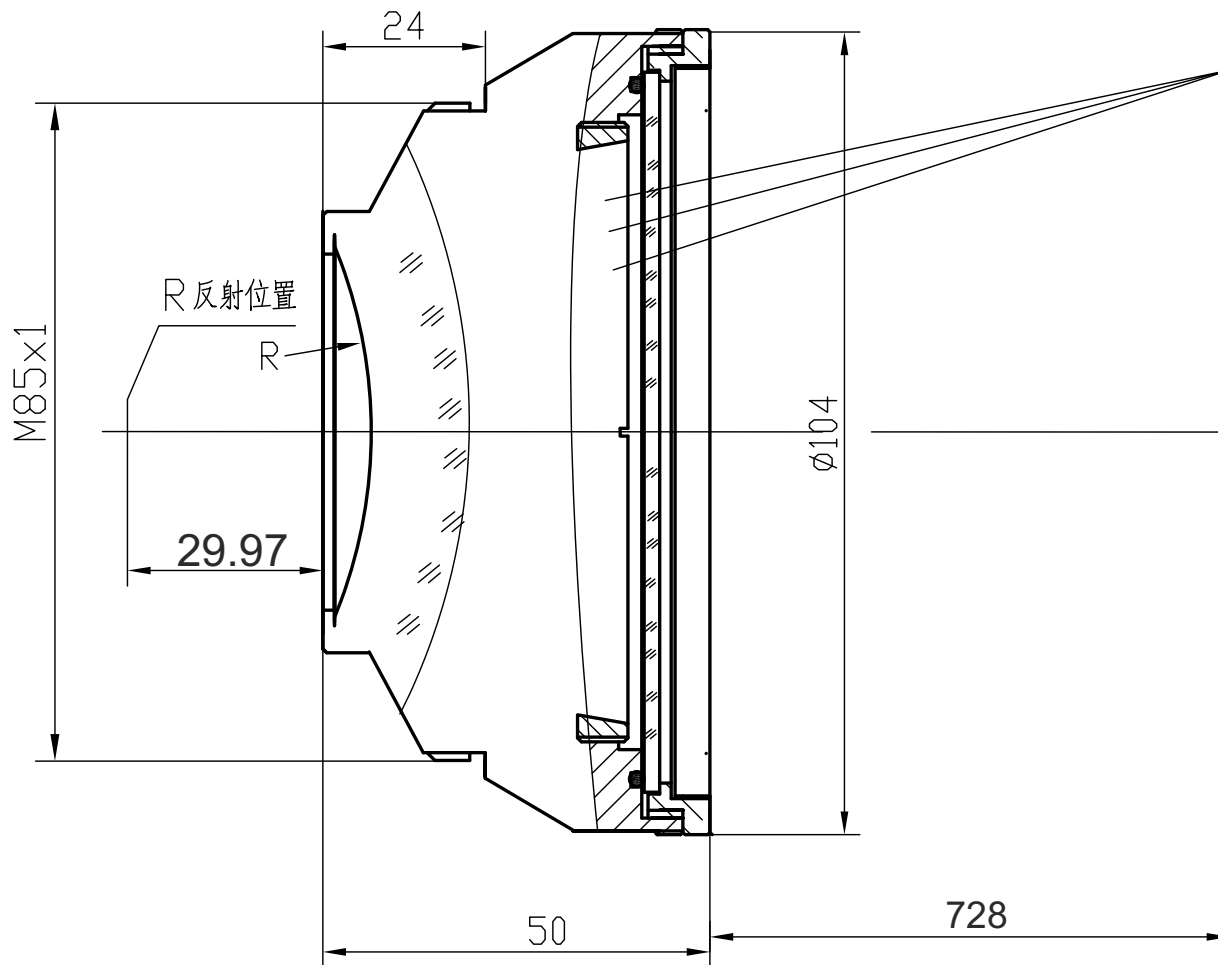


F-Theta f=650mm D20mm

Drawing No. SH-1064-450-650-20-FS



Specification

EFL	580mm
S	728mm
Wavelength	$\lambda = 1064\text{nm}$
scan angle	$\pm 25^\circ$
max scan field	450mm x 450mm
Entrance beam diameter ϕ	20mm
Center point diameter ($1/e^2$)	64 μm
Edge point diameter ($1/e^2$)	66 μm
mirror distance m1	20
mirror distance m2	20
Transmission >	98%
Thread	M85x1
With protective wind w	yes