

YFPN-100-GMC-S

MOPA FIBER LASER FOR CLEANING
Data sheet V 1.0

Features

- » MOPA Technology
- » TOP-HAT beam
- » Short pulse setup
- » Very competitive price
- » Pulse width modifiable



TECHNICAL SPECIFICATIONS

Central Wavelength	1060-1080 nm	Spectral width @3dB	<15 nm
Output power	100 W	Beam diameter	5-7 mm
Max. pulse energy	1.5 mJ	Delivery cable	5 m
Range of power	0-100 %	Supply voltage DC	24 VDC
Repetition frequency	1-3000 kHz	Current consumption	<16 A
Pulse width	2-500 ns	Power consumption	<384 W
Power instability	<5 %	Operating temperature	0 - 40 °C
Beam quality M^2	<1.6	Storage temperature	-10 - 60 °C
Laser switching ON/OFF	<20 μ s	Colling method	Air
Laser dimension (mm)	320.5x220.6x100		
QCS dimension(mm)	\varnothing 17x153		
Net weight	<7.5 kg		

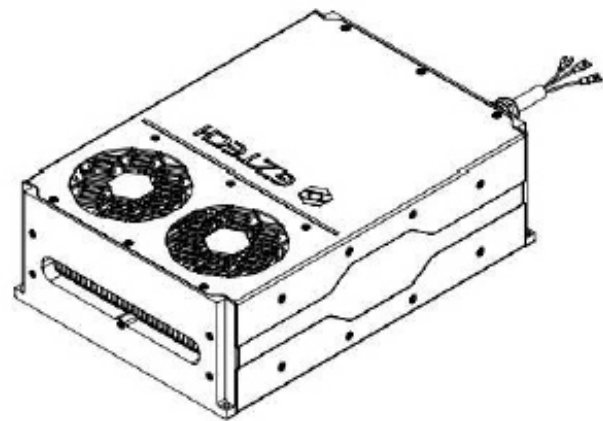
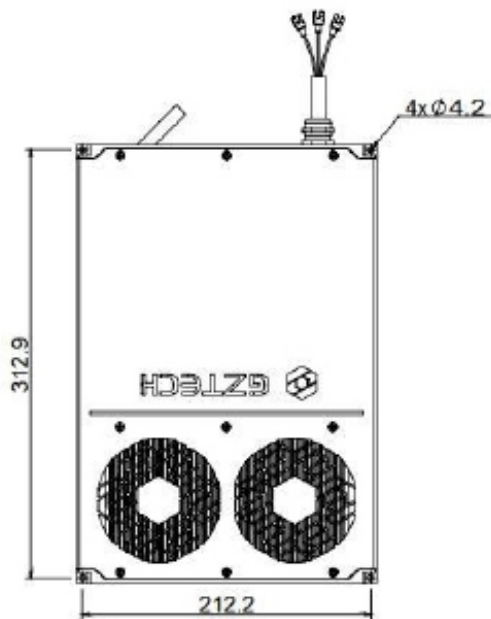
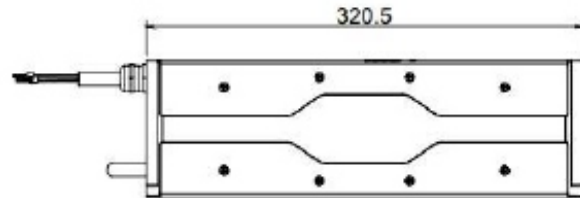
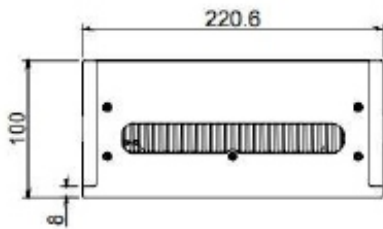
YFPN-100-GMC-S

Pulse width corresponds to the power reduction frequency point and the maximum single pulse energy

Pulse width (ns)	Power reduction frequency (kHz)	Upper frequency limit (kHz)	Max. single pulse energy (mJ)
1(CW)			
2	2990	3000	0.03
4	2600	3000	0.04
6	1900	3000	0.05
8	1400	3000	0.07
10	1200	3000	0.08
20	625	2000	0.16
30	450	1000	0.22
40	350	1000	0.29
50	300	1000	0.33
60	275	1000	0.36
70	245	1000	0.41
80	225	1000	0.44
90	215	1000	0.47
100	175	400	0.57
150	100	400	1.00
200	85	400	1.18
250	75	400	1.33
350	65	400	1.54
450	65	400	1.54
500	65	400	1.54

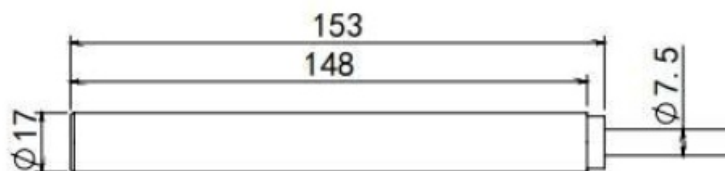
YFPN-100-GMC-S

Laser Specification and Dimension



M4 screws are recommended

Laser dimension



QCS dimension