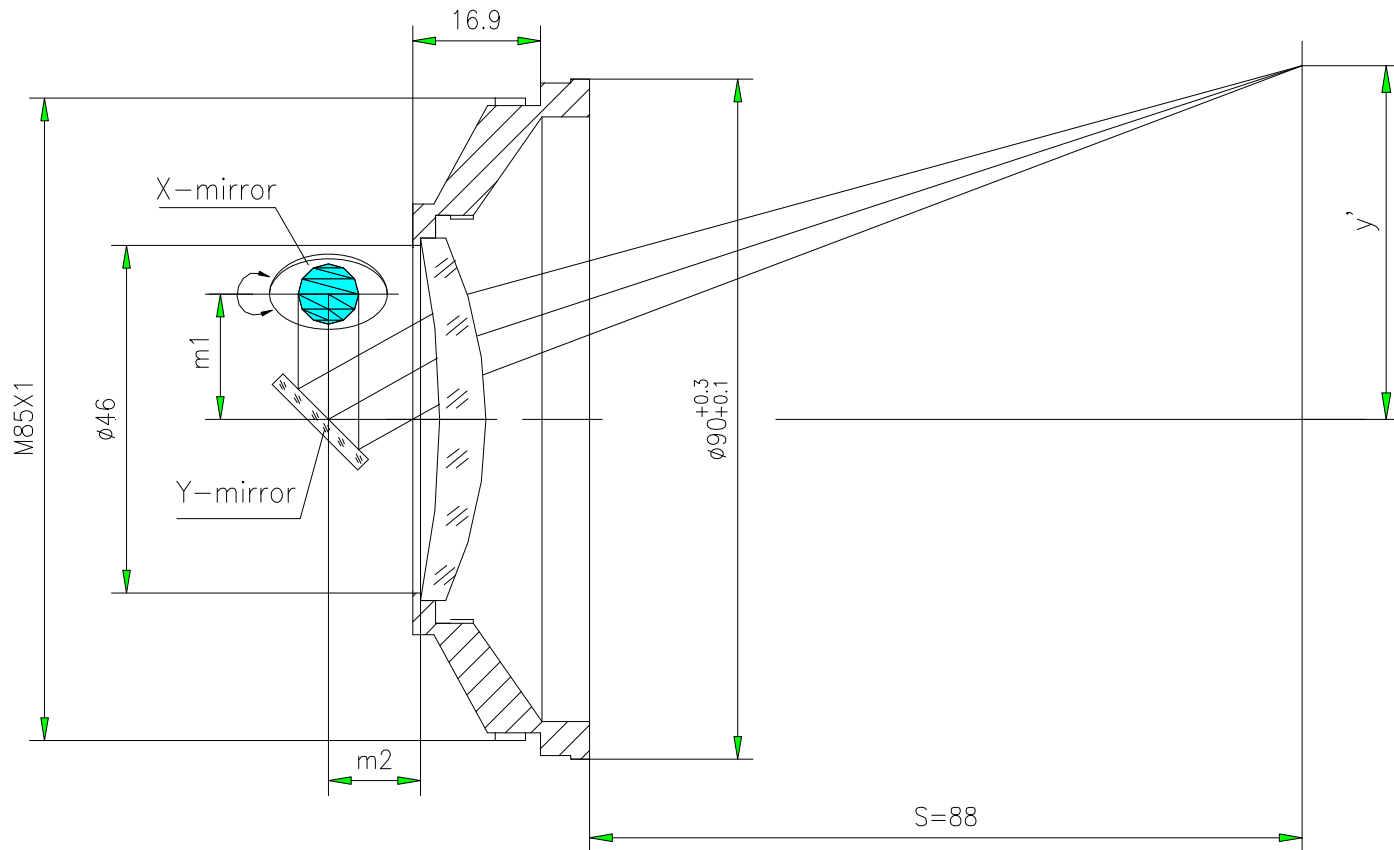


# F-Theta f=100mm

## Drawing No. SH-10,6-48-70-100-14



### Specification

EFL	100mm
S	88mm
Wavelength	$\lambda = 10,6 \mu\text{m}$
scan angle	$\pm 28^\circ$
max scan field	70mm x 70mm
Entrance beam diameter $\varnothing$	14mm
Center point diameter ( $1/e^2$ )	146 $\mu\text{m}$
Edge point diameter ( $1/e^2$ )	170 $\mu\text{m}$
mirror distance m1	16-20
mirror distance m2	10-12
Transmission >	97%
Thread	M85x1