

## YFPN-200-GLC

MOPA FIBER LASER FOR CLEANING LR0506SA  
Data sheet V 1.0

### Features

- » MOPA Technology
- » TOP-HAT beam
- » Short pulse setup
- » Very competitive price
- » Pulse width modifiable



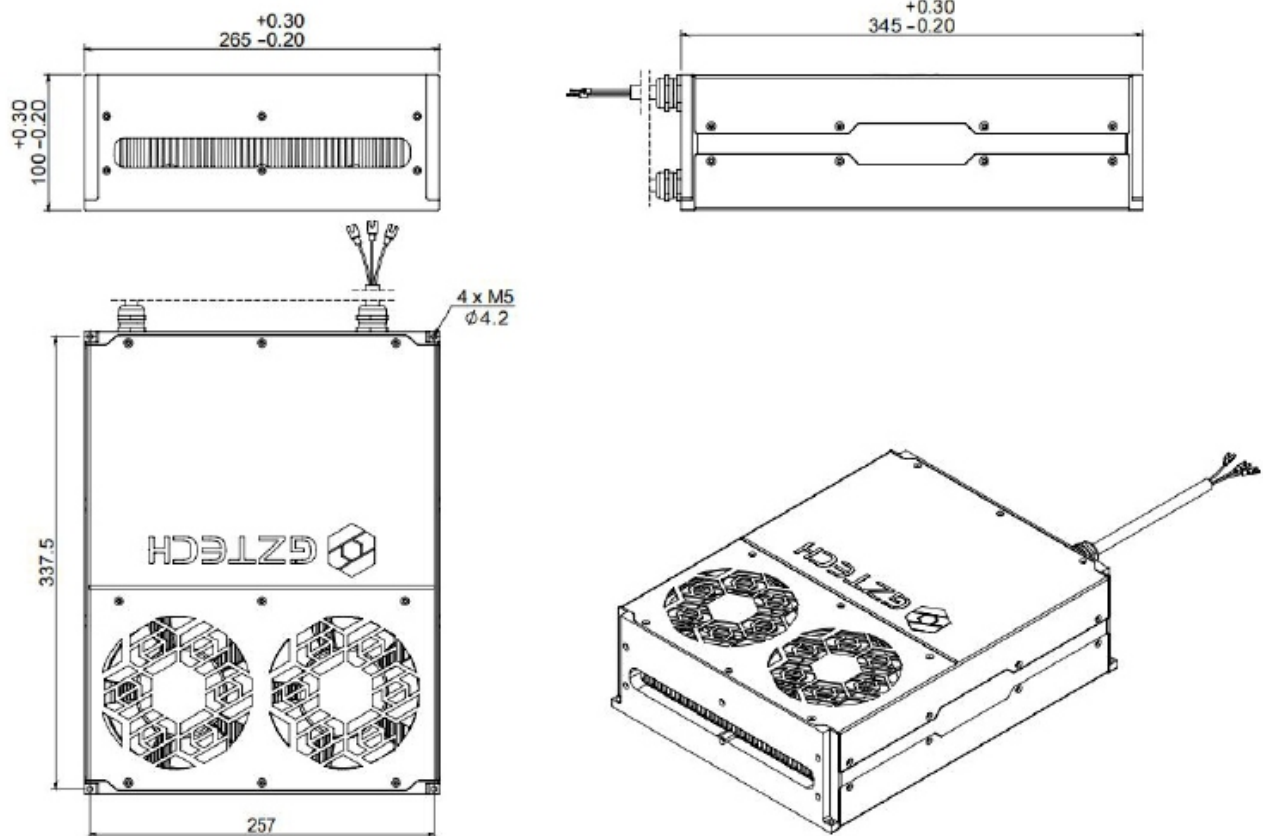
## TECHNICAL SPECIFICATIONS

Central Wavelength	1060-1080 nm
Output power	200 W
Max. pulse energy	1.5 mJ@135 kHz
Range of power	0-100 %
Repetition frequency	2-500 kHz
Pulse width	150-190 ns@135 kHz
Power instability	<5 %
Beam quality	<1.8 M <sup>2</sup>
Laser switching ON/OFF	<20 μs
Laser dimension (mm)	345x265x100
QCS dimension(mm)	Ø17x133
Net weight	<10 kg

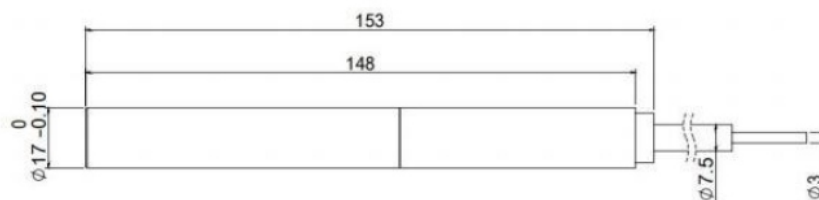
Spectral width @3dB	<5 nm
Beam diameter	5-7 mm
Delivery cable	5 m
Supply voltage DC	48 VDC
Current consumption	<16 A
Power consumption	<748 W
Operating temperature	0 - 40 °C
Storage temperature	-10 - 60 °C
Colling method	Air

## YFPN-200-GLC

Laser Specification and Dimension



Laser Dimension



QCS Dimension