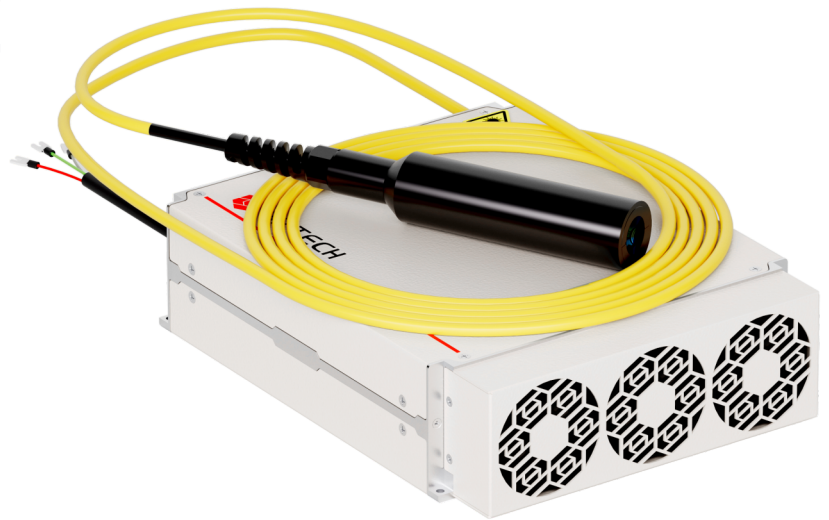


YFPN-20-GME

MOPA FIBER LASER
Data sheet V 1.0

Features

- » MOPA Technology
- » Large Frequency Range
- » Short pulse setup
- » optimized optical quality
- » Pulse width modifiable



TECHNICAL SPECIFICATIONS

Central Wavelength	1060-1080 nm	Spectral width @3dB	<15nm
Output power	20 W	Beam diameter	7±0.5 mm
Max. pulse energy	0.8 mJ	Delivery cable	2 m ⁽¹⁾
Range of power	0-100 %	Supply voltage DC	24 V
Repetition frequency	1-3000 kHz	Current consumption	<6 A
Full power frequency	25-3000 kHz	Power consumption	<144 W
Pulse width	2-500 ns	Operating temperature	0 - 40 °C
Power instability	<5 %	Storage temperature	-10 - 60 °C
Beam quality	<1.35 M ²	Colling method	Air
Laser switching ON/OFF time	<20 µs	Laser dimension	269.5x210.5x69.5 mm

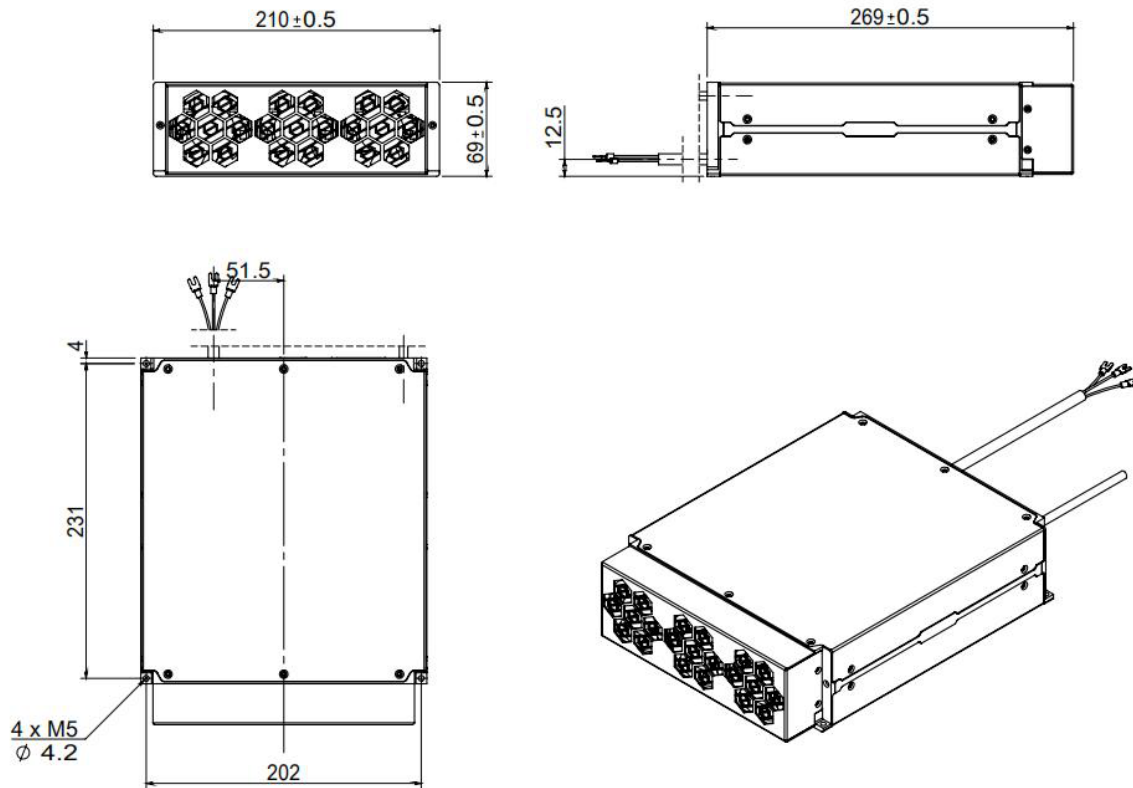
⁽¹⁾Available fiber lengths: 3m / 5m

YFPN-20-GME

Pulse width corresponds to the power reduction frequency point and the maximum single pulse energy

Pulse width (ns)	Power reduction frequency (kHz)	Upper frequency limit (kHz)	Max. single pulse energy (mJ)
2	850	3000	0.02
4	500	3000	0.04
6	300	3000	0.07
9	240	3000	0.08
12	160	3000	0.13
20	100	3000	0.18
30	86	3000	0.23
45	72	2000	0.27
60	62	2000	0.32
80	58	2000	0.33
100	53	1000	0.38
150	30	1000	0.67
200	25	1000	0.80
250	25	1000	0.80
350	25	600	0.80
450	25	500	0.80
500	25	500	0.80

YFPN-20-GME



Laser dimension

