

YFPN-100-GR

MOPA FIBER LASER 020203
Data sheet V 1.0

Features

- » Pulse string Mode
- » Maintenance free
- » Average power 40-200W
- » Pulse duration 1-60 ns
- » Repetition Frequency 100-4000 kHz

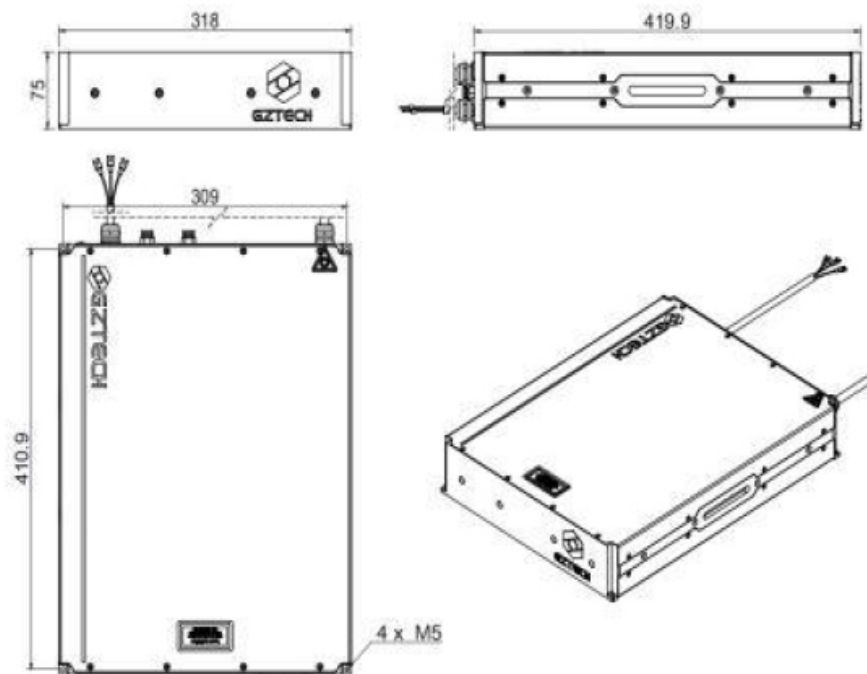


TECHNICAL SPECIFICATIONS

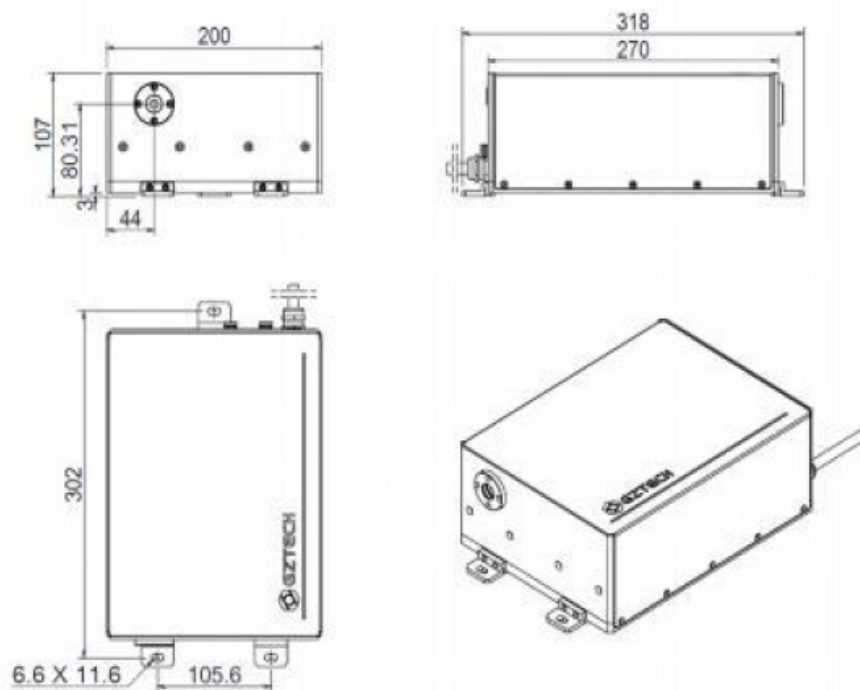
Central Wavelength	532 nm	Spectral width @3dB	<1 nm
Output power	100 W	Beam diameter	2.5±0.5 mm
Max. pulse energy	30 mJ	Delivery cable	3 m
Range of power	0-100 %	Supply voltage DC	48 V
Repetition frequency	100-1500 kHz	Current consumption	<10 A
Pulse width	20 ns	Power consumption	<480 W
Power instability	<5 %	Operating temperature	0 - 40 °C
Beam quality	<1.2 M ²	Storage temperature	-10 - 60 °C
Laser switching ON/OFF time	<20 µs	Colling method	Water
Net weight	<25 kg	Laser dimension	420x318x75 mm

YFPN-100-GR

Laser Specification and Dimension



Laser dimension



Output head dimension