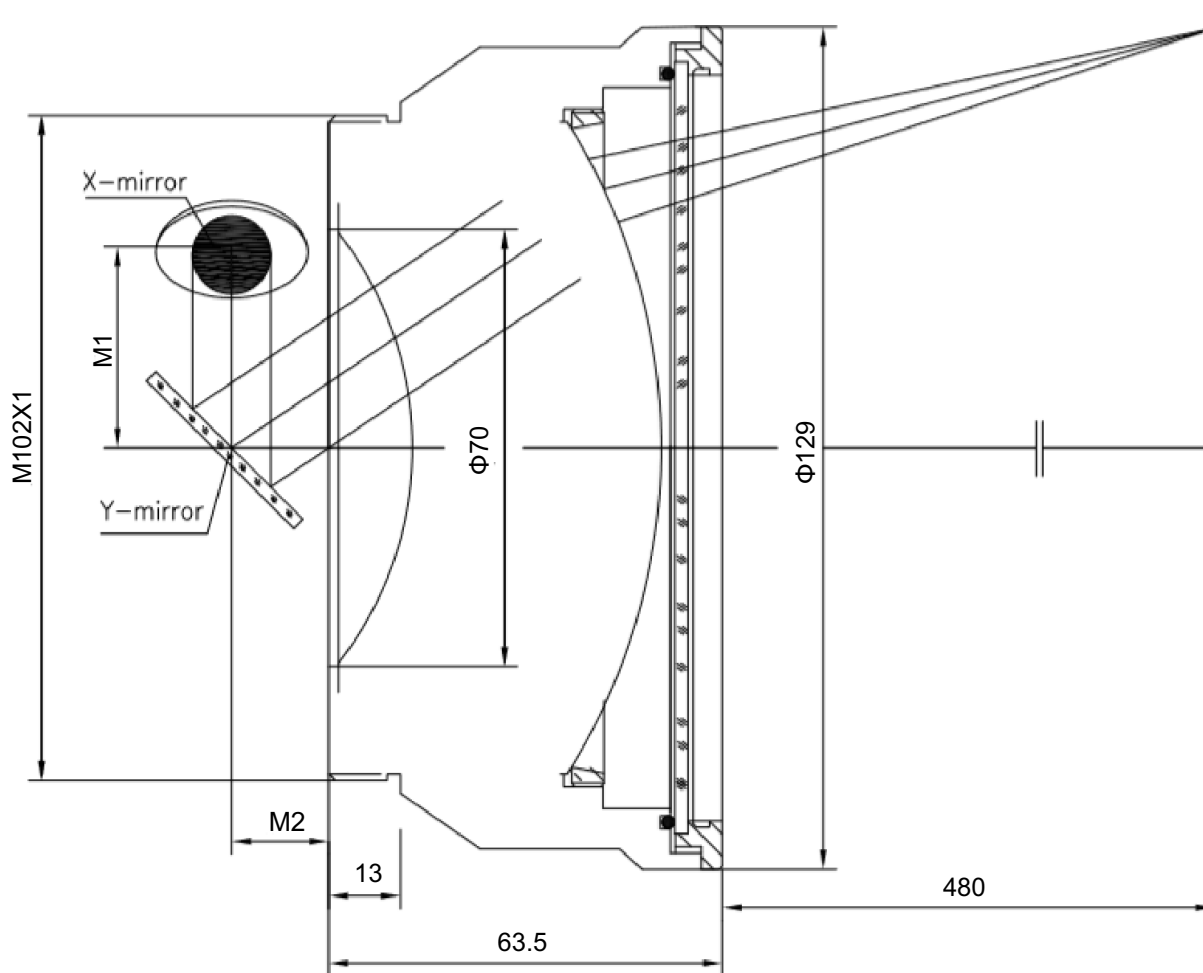


# F-Theta f=420mm D30mm

Drawing No. SH102-915-255-420-30



## Specification

EFL	420mm
S	480mm
Wavelength	$\lambda = 915\text{nm}$
scan angle	$\pm 25^\circ$
max scan field	255mm x 255mm
Entrance beam diameter $\varnothing$	30 mm
Center point diameter ( $1/e^2$ )	24 $\mu\text{m}$
Edge point diameter ( $1/e^2$ )	25 $\mu\text{m}$
mirror distance m1	25-30
mirror distance m2	28-32
Transmission >	98%
Thread	M102x1
With protective	yes