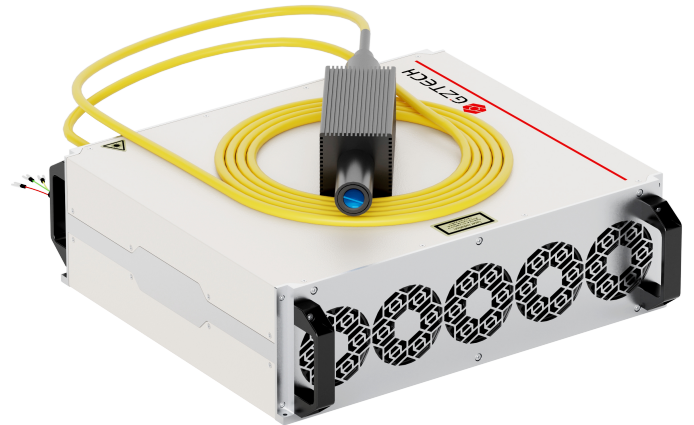


YFPN-200-GME

MOPA FIBER LASER
Data sheet V 1.0

Features

- » MOPA Technology
- » Large Frequency Range
- » Short pulse setup
- » optimized optical quality
- » Pulse width modifiable



TECHNICAL SPECIFICATIONS

Central Wavelength	1060-1080 nm	Spectral width @3dB	<20nm
Output power	200 W	Beam diameter	7±1 mm
Max. pulse energy	1.5 mJ	Delivery cable	3 m ⁽¹⁾
Range of power	0-100 %	Supply voltage DC	48 V
Repetition frequency	1-3000 kHz	Current consumption	<16 A (48V)
Full power frequency	130-3000 kHz	Power consumption	<768 W
Pulse width	2-500 ns	Operating temperature	0 - 40 °C
Power instability	<5 %	Storage temperature	-10 - 60 °C
Beam quality	<1.8 M ²	Colling method	Air
Laser switching ON/OFF time	<20 µs	Laser dimension	425x360x135 mm (48V)

⁽¹⁾Available fiber lengths: 3m / 5m

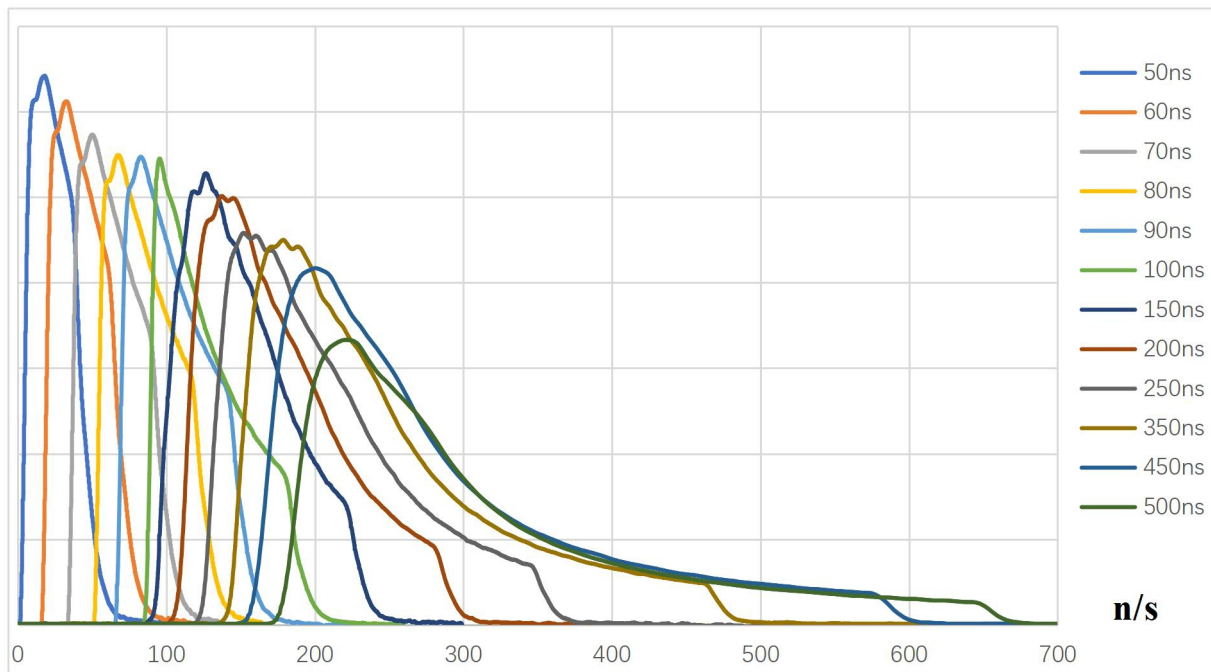
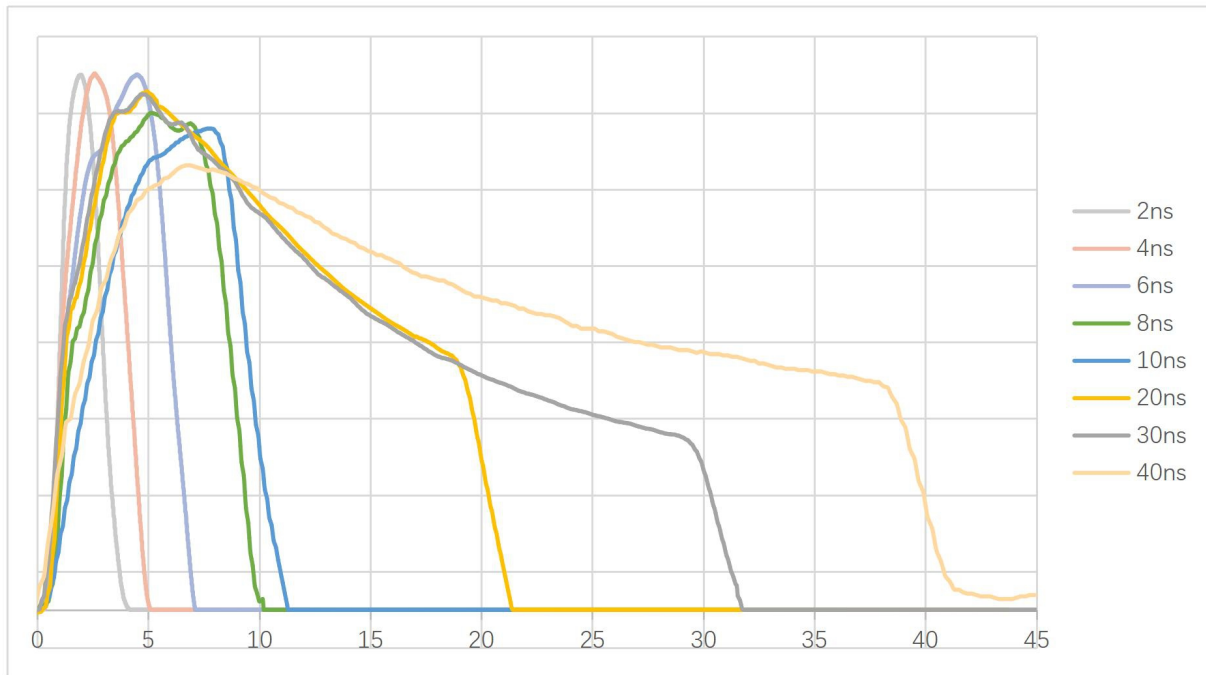
YFPN-200-GME

Pulse width corresponds to the power reduction frequency point and the maximum single pulse energy

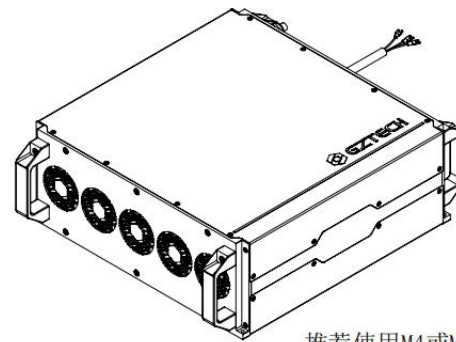
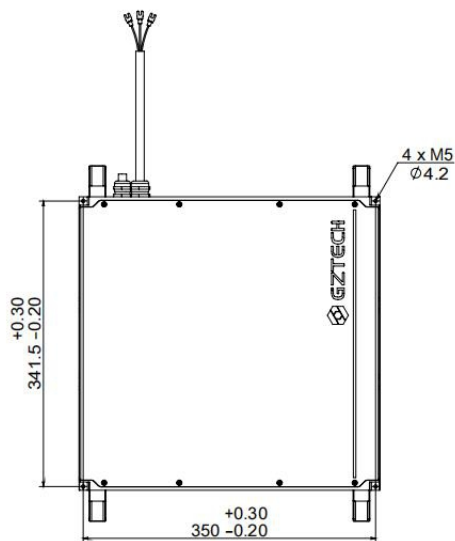
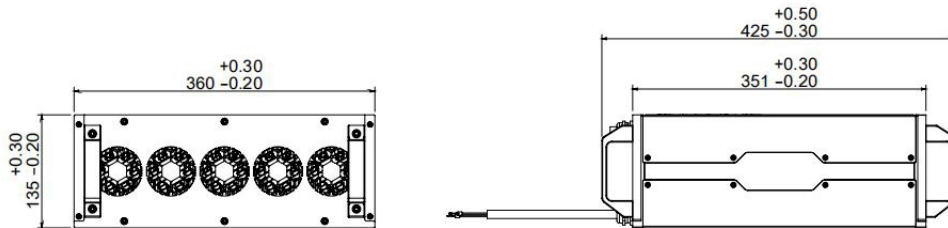
Pulse width (ns)	Power reduction frequency (kHz)	Upper frequency limit (kHz)	Max. single pulse energy (mJ)
1 (CW)	/	/	/
2	2800	3000	0.04
4	2200	3000	0.05
6	1450	3000	0.07
8	1100	3000	0.09
10	1080	3000	0.11
20	860	2000	0.23
30	640	2000	0.31
40	520	2000	0.38
50	440	1000	0.45
60	380	1000	0.53
70	360	1000	0.56
80	340	1000	0.59
90	310	1000	0.65
100	260	1000	0.77
150	170	400	1.18
200	160	400	1.25
250	140	400	1.43
350	130	400	1.54
450	130	400	1.54
500	130	400	1.54

YFPN-200-GME

Pulse waveform



YFPN-200-GME



推荐使用M4或M5螺丝

