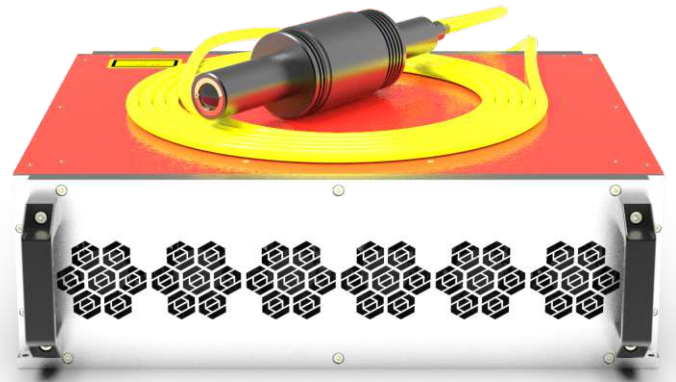


## YFPN-200-GM

MOPA FIBER LASER  
Data sheet V 1.0

### Features

- » MOPA Technology
- » Short pulse setup
- » Very competitive price
- » Pulse width modifiable



## TECHNICAL SPECIFICATIONS

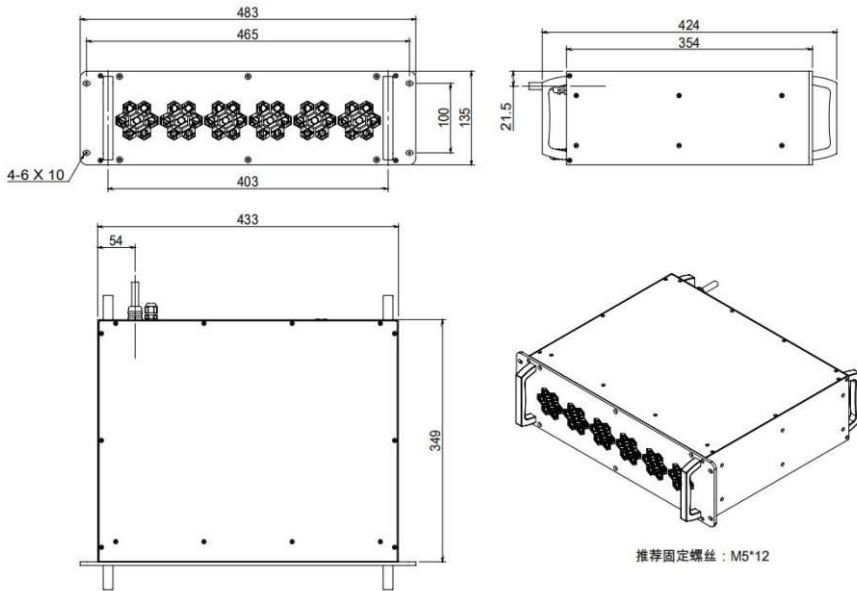
|                             |                     |                       |                    |
|-----------------------------|---------------------|-----------------------|--------------------|
| Central Wavelength          | 1060-1080 nm        | Spectral width (@3dB) | <30 nm             |
| Output power                | 200 W               | Polarization          | Random             |
| Max. pulse energy           | 2 mJ                | Beam diameter         | 7 mm(10 optional)  |
| Range of power              | 0-100 %             | Delivery cable        | 3 m                |
| Repetition frequency        | 1-3000 kHz          | Supply voltage DC     | 48 VDC             |
| Full power frequency        | 250-1000 kHz        | Current consumption   | <15 A              |
| Pulse width                 | 2-500 ns            | Power consumption     | <720 W             |
| Power instability           | <5 %                | Operating temperature | 0 - 40 °C          |
| Beam quality                | <1.8 M <sup>2</sup> | Storage temperature   | -10 - 60 °C        |
| Laser switching ON/OFF time | <20 μs              | Colling method        | Air                |
| Laser dimension (mm)        | 483x424x135         | Isolator dimension    | 276x67x67(Round)   |
|                             | 448x439x135         |                       | 238x48x48 (Square) |
| Net weight                  | <30 kg              |                       |                    |

# YFPN-200-GM

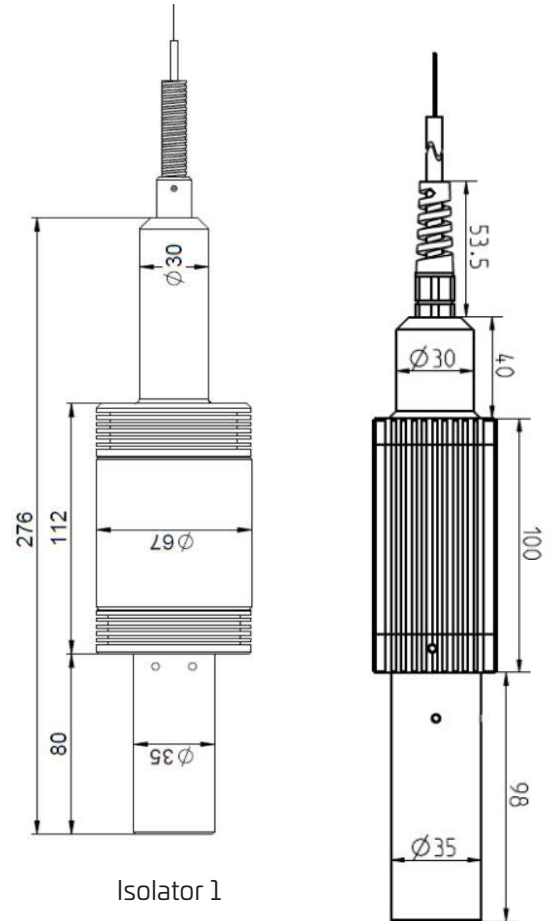
Pulse width corresponds to the power reduction frequency point and the maximum single pulse energy

| Pulse width (ns) | Power reduction frequency (kHz) | Upper frequency limit (kHz) | Max. single pulse energy (mJ) |
|------------------|---------------------------------|-----------------------------|-------------------------------|
| 1 (CW)           | /                               | /                           | /                             |
| 2                | 2800                            | 3000                        | 0.04                          |
| 4                | 2200                            | 3000                        | 0.05                          |
| 6                | 1450                            | 3000                        | 0.07                          |
| 8                | 1100                            | 3000                        | 0.09                          |
| 10               | 1000                            | 3000                        | 0.11                          |
| 20               | 860                             | 2000                        | 0.23                          |
| 30               | 640                             | 2000                        | 0.31                          |
| 40               | 520                             | 2000                        | 0.38                          |
| 50               | 440                             | 1000                        | 0.45                          |
| 60               | 380                             | 1000                        | 0.53                          |
| 70               | 360                             | 1000                        | 0.56                          |
| 80               | 340                             | 1000                        | 0.59                          |
| 90               | 310                             | 1000                        | 0.65                          |
| 100              | 260                             | 1000                        | 0.77                          |
| 150              | 170                             | 400                         | 1.18                          |
| 200              | 160                             | 400                         | 1.25                          |
| 250              | 140                             | 400                         | 1.43                          |
| 350              | 130                             | 400                         | 1.54                          |
| 450              | 100                             | 400                         | 2.00                          |
| 500              | 100                             | 400                         | 2.00                          |

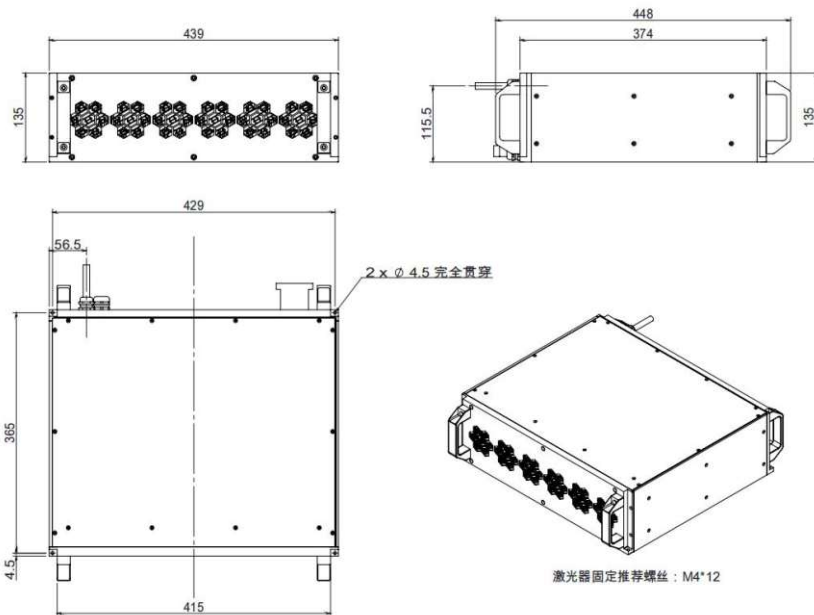
## YFPN-200-GM



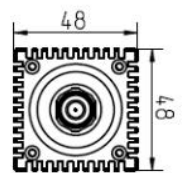
Laser dimension 1



Isolator 1



Laser dimension 2



Isolator 2