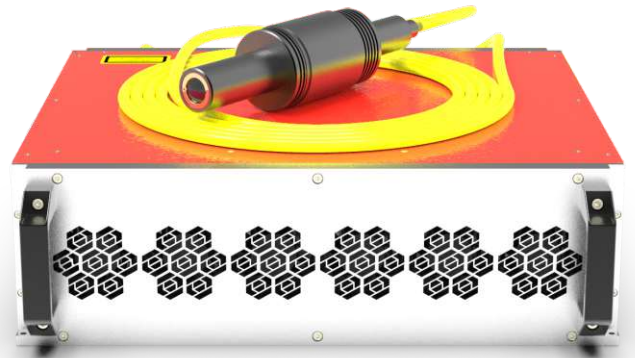


YFPN-500-GM-5

MOPA FIBER LASER
Data sheet V 1.0

Features

- » MOPA Technology
- » Short pulse setup
- » Verz competitive price
- » Pulse width modifiable



TECHNICAL SPECIFICATIONS

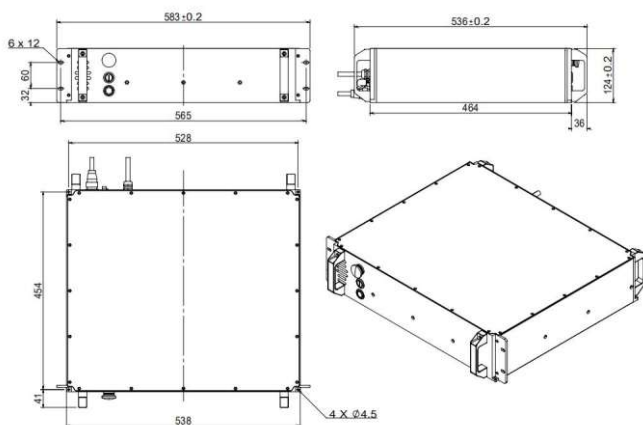
Central Wavelength	1060-1080 nm	Spectral width (@3dB)	<30nm
Output power	500 W	Polarization	Random
Max. pulse energy	2 mJ	Delivery cable	5 m
Range of power	0-100 %	Supply voltage DC	230 VAC/48 VDC
Repetition frequency	1-4000 kHz	Current consumption	<9 / <41 A
Full power frequency	250-1000 kHz	Power consumption	<1980 W
Pulse width	20-500 ns	Operating temperature	0 - 40 °C
Power instability	<5 %	Storage temperature	-10 - 60 °C
Beam quality	<1.8 M ²	Colling method	Water
Beam diameter	7 mm/10 mm	Water chiller temperature	28 °C (Laser) 30 °C (Isolator)
Laser dimension (mm)	583x536x124 (230V) 485x461x82 (48V)	Water chiller flow	>5 L/min (Laser) >2 L/min (Isolator)
Net weight	<40 kg (230V) <25 kg (48V)	Pipe diameter	10 mm Laser/ 6mm Iso

Page 1/2

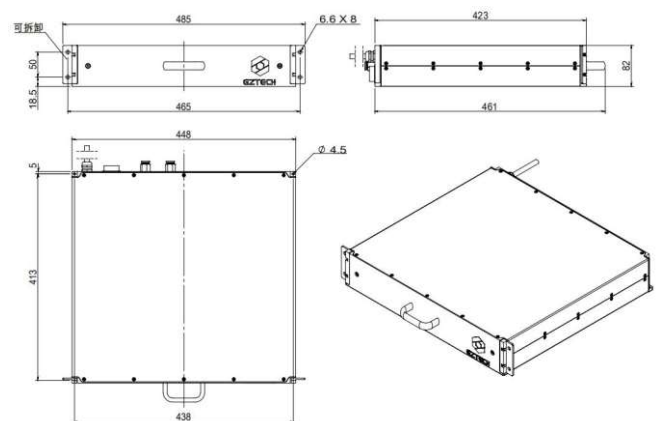
YFPN-500-GM-5

Pulse width corresponds to the power reduction frequency point and the maximum single pulse energy

Pulse width (ns)	Power reduction frequency (kHz)	Upper frequency limit (kHz)	Max. single pulse energy (mJ)
1 (CW)	/	/	/
20	3300	4000	0.15
30	2000	4000	0.25
40	1600	3000	0.31
50	1300	3000	0.38
60	1000	3000	0.50
80	825	2000	0.61
90	725	2000	0.69
100	600	2000	0.83
120	500	2000	1.00
150	450	1000	1.11
200	400	1000	1.25
250	350	600	1.43
350	300	500	1.67
450	250	400	2.00
500	250	400	2.00



Dimension 230V



Dimension 48V