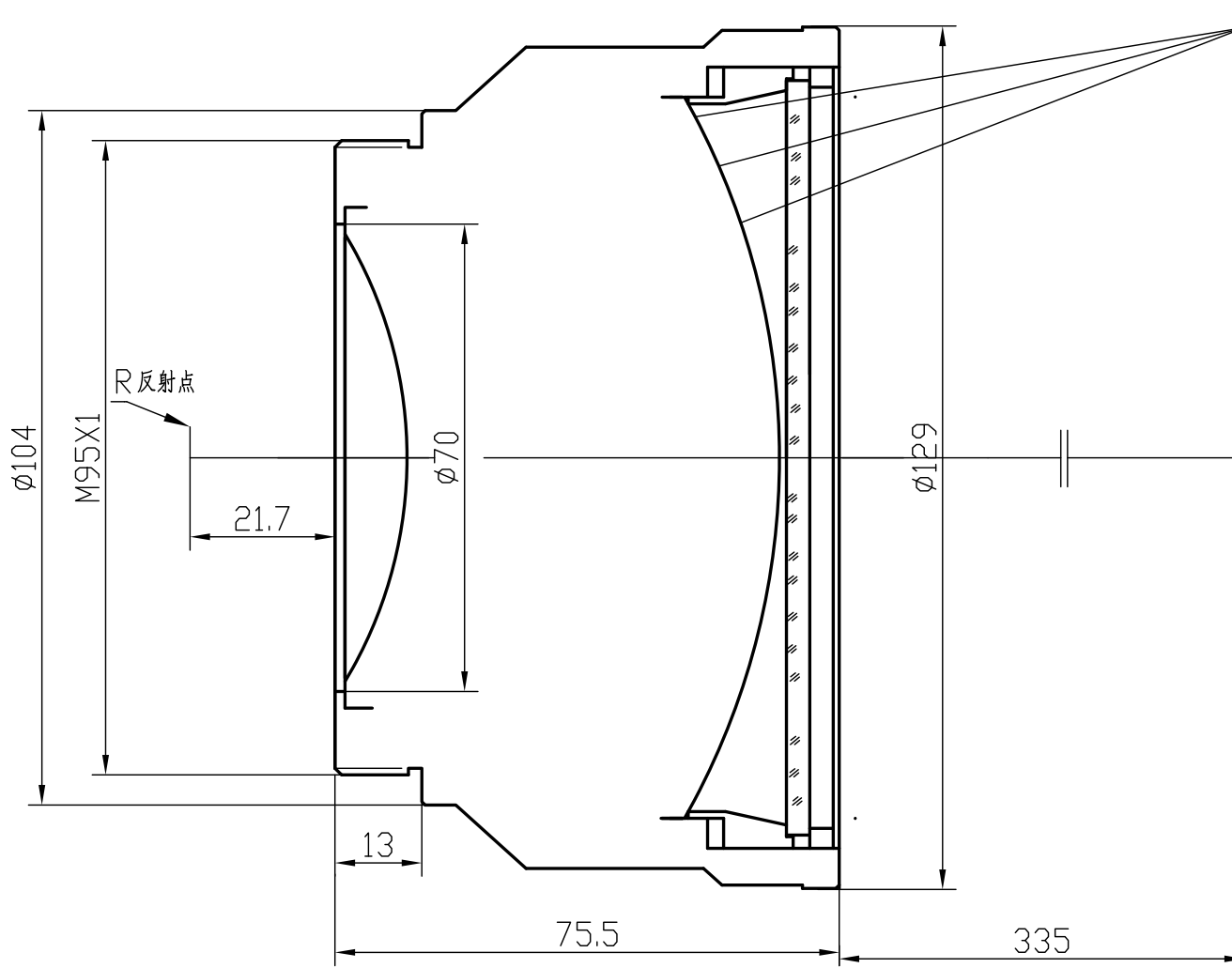


# F-Theta f=254mm D30mm

Drawing No. SH95-1064-160-254-30-FS



Specification	
EFL	254mm
S	335mm
Wavelength	$\lambda = 1064\text{nm}$
scan angle	$\pm 25^\circ$
max scan field	160mm x 160mm
Entrance beam diameter $\phi$	30mm
Center point diameter (1/e <sup>2</sup> )	17 $\mu\text{m}$
Edge point diameter (1/e <sup>2</sup> )	19 $\mu\text{m}$
mirror distance m1	25-30
mirror distance m2	20-30
Transmission >	97%
Thread	M95x1
With protective window	yes