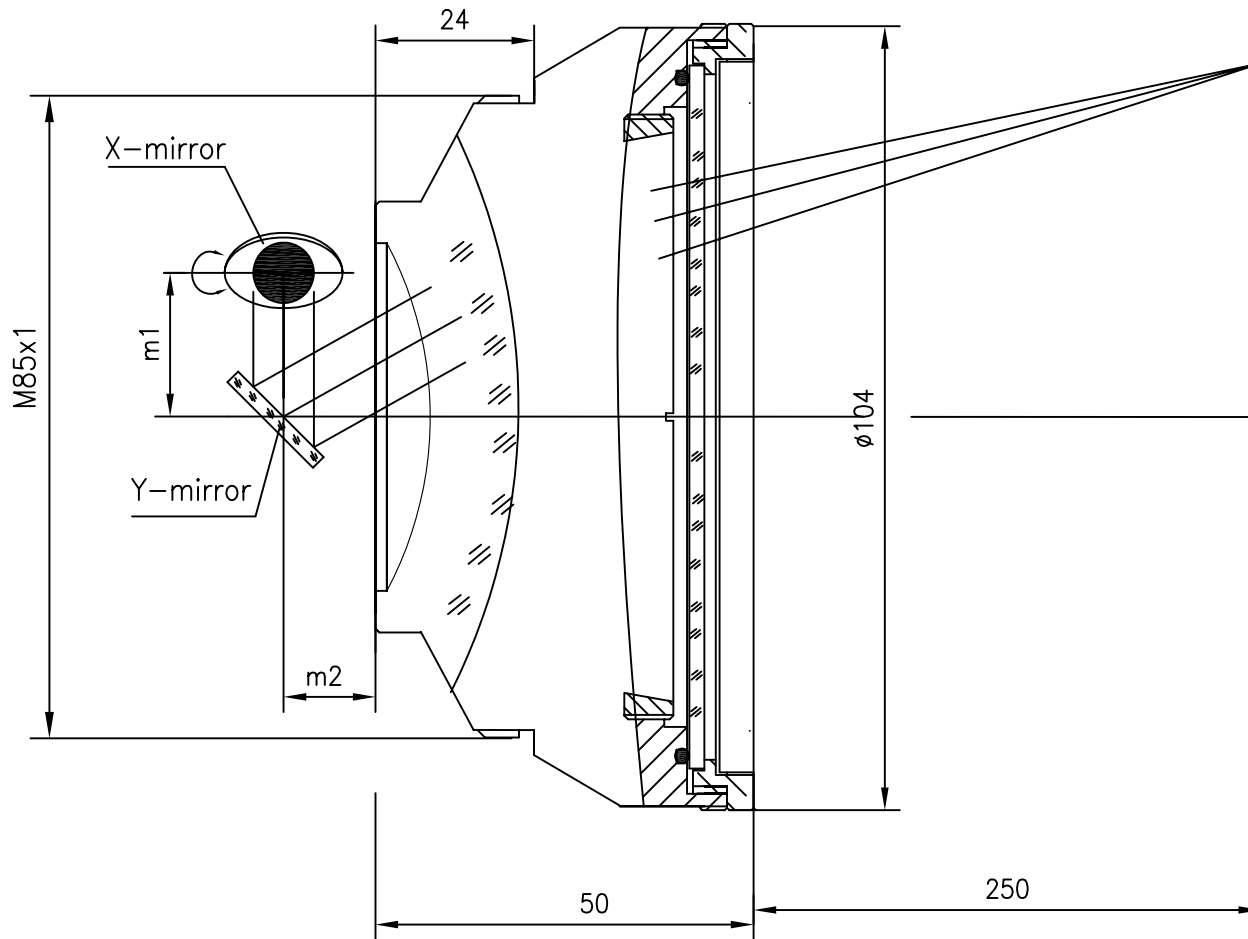


F-Theta f=210mm

Drawing No. SH-1064-150-210-20



Specification

EFL	210mm
S	250mm
Wavelength	$\lambda = 1064\text{nm}$
scan angle	$\pm 28^\circ$
max scan field	150mm x 150mm
Entrance beam diameter ϕ	20mm
Center point diameter ($1/e^2$)	21 μm
Edge point diameter ($1/e^2$)	23 μm
mirror distance m1	20-24
mirror distance m2	18
Transmission >	97%
Thread	M85x1
With protective window	yes