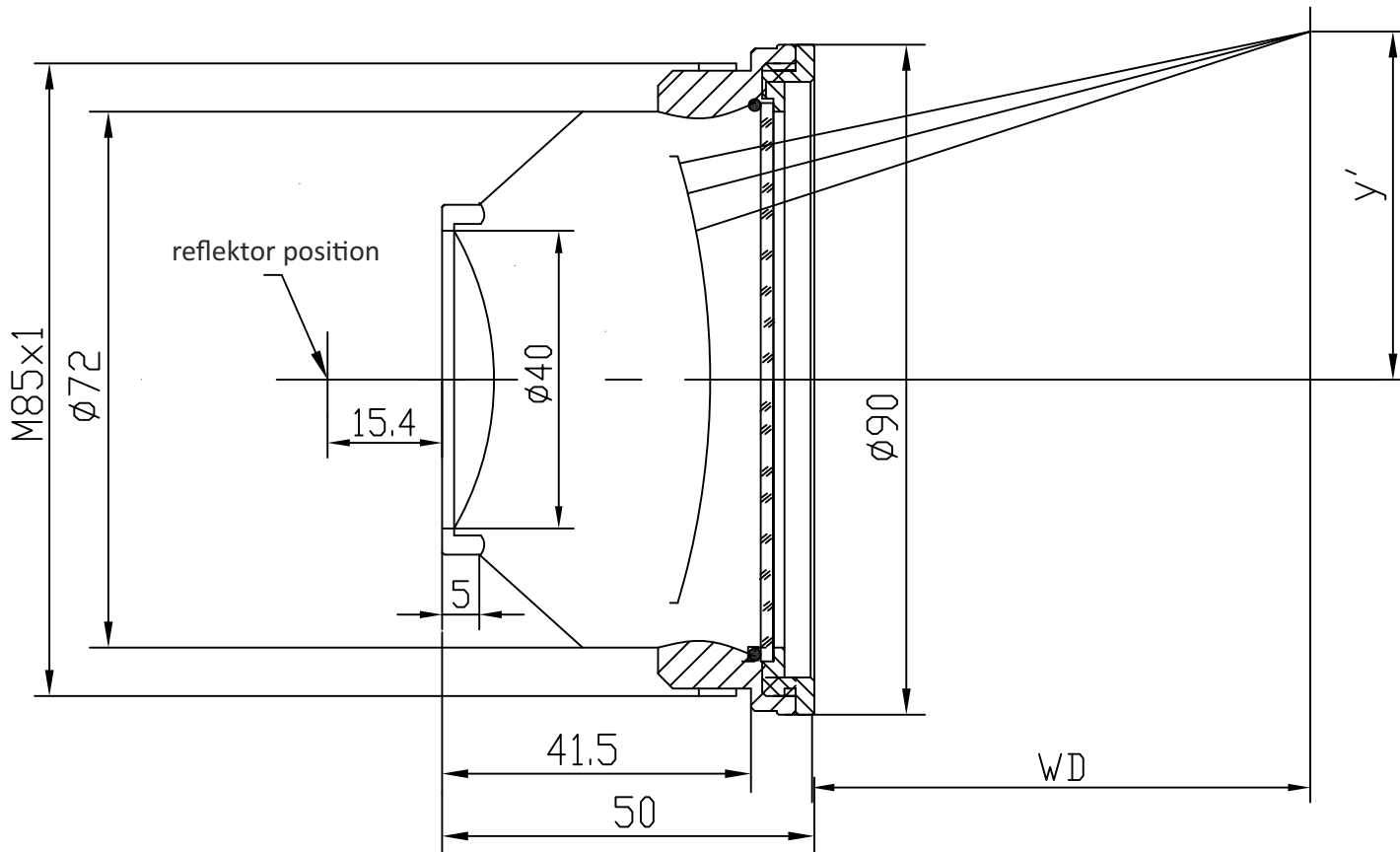


F-Theta f=225mm

Drawing No. SH-1064-150-225-12



Specification

EFL	225mm
WD	248mm
Wavelength	$\lambda = 1064\text{nm}$
scan angle	$\pm 28^\circ$
max scan field	150mm x 150mm
Entrance beam diameter \varnothing	12mm
Center point diameter ($1/e^2$)	37 μm
Edge point diameter ($1/e^2$)	38 μm
mirror distance m1	16-20
mirror distance m2	10-12
Transmission >	97%
Thread	M85x1
With protective window	yes