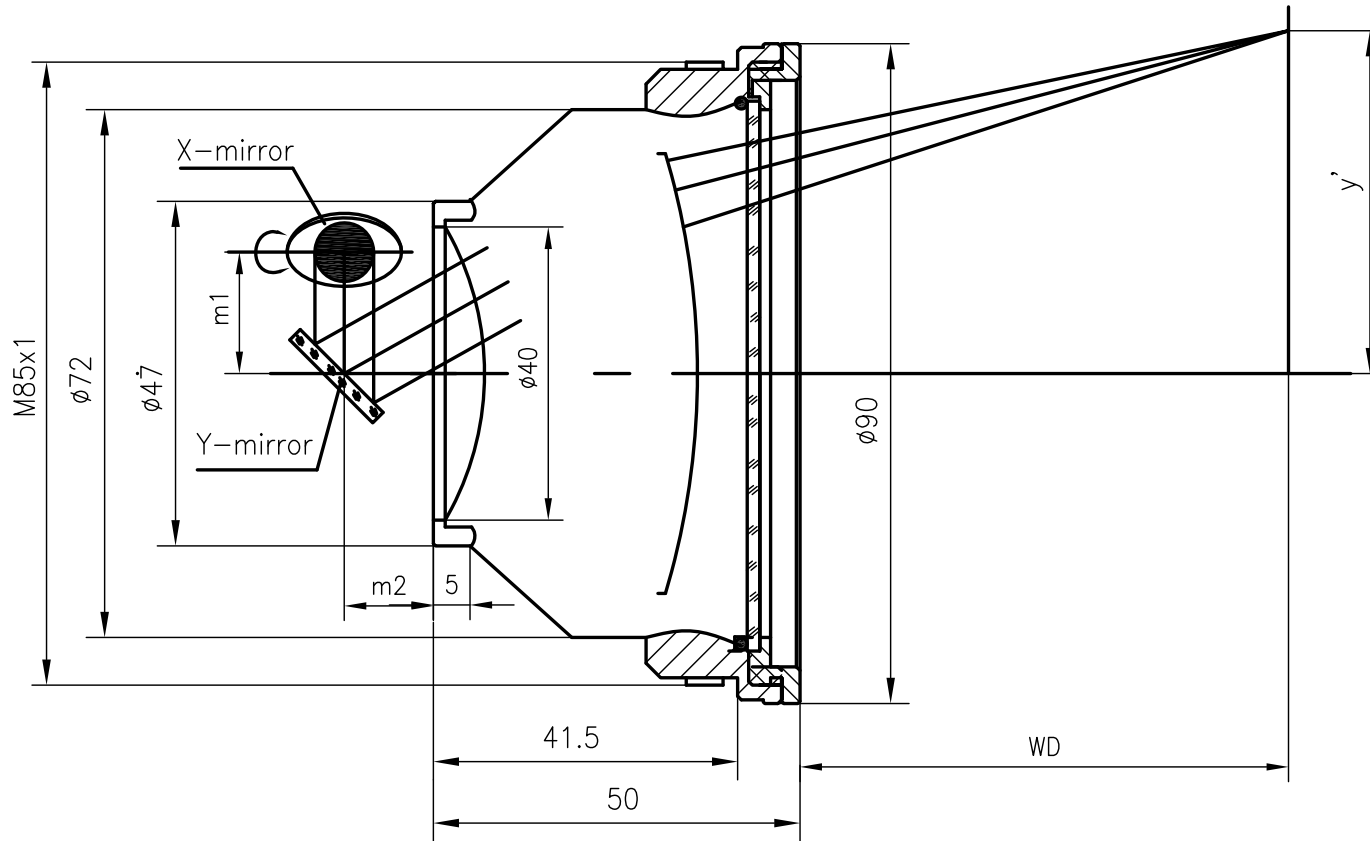


# F-Theta f=750mm

## Drawing No. SH-355-550-750-8



### Specification

EFL	750mm
WD	833mm
Wavelength	$\lambda = 355\text{nm}$
scan angle	$\pm 28^\circ$
max scan field	550mm x 550mm
Entrance beam diameter $\varnothing$	8mm
Center point diameter ( $1/e^2$ )	61 $\mu\text{m}$
Edge point diameter ( $1/e^2$ )	75 $\mu\text{m}$
mirror distance $m_1$	12-16
mirror distance $m_2$	12-16
Transmission >	97%
Thread	M85x1
With protective window	yes