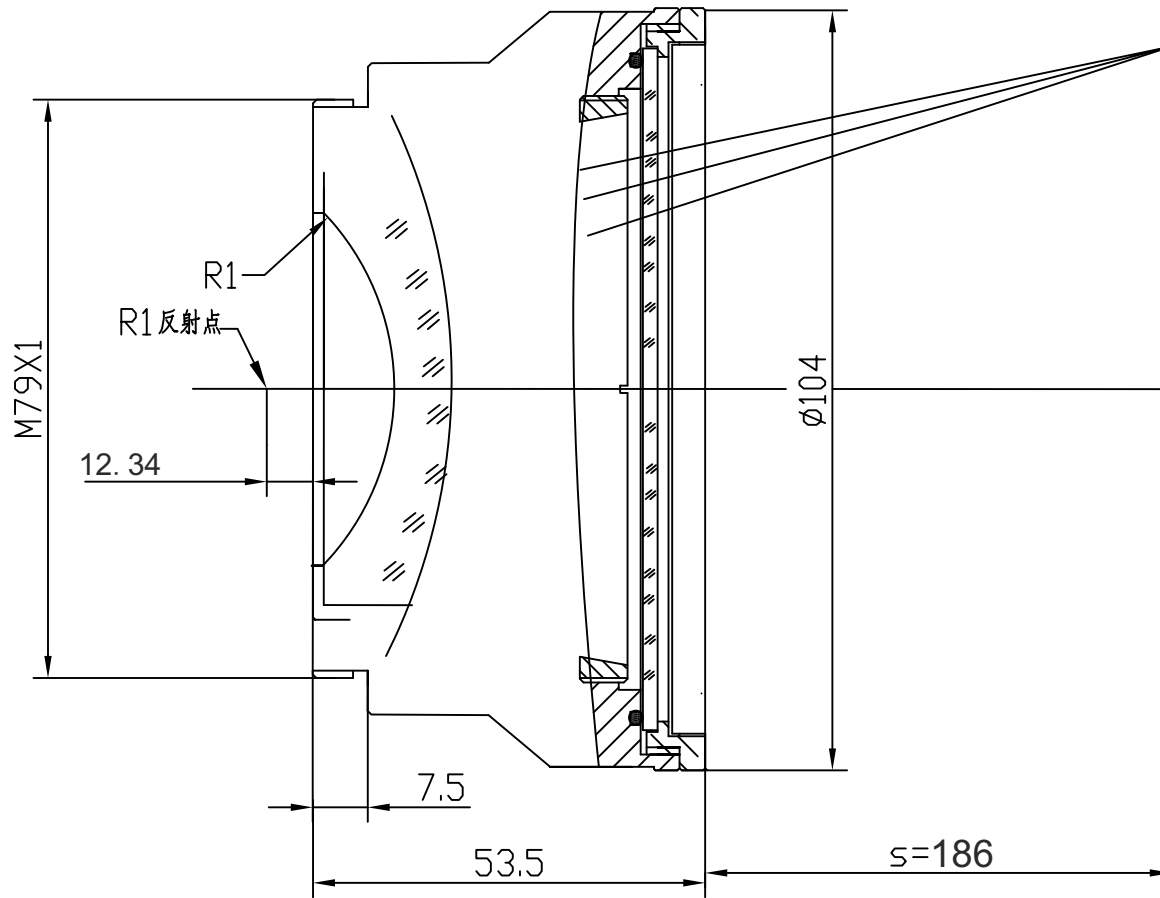


# F-Theta f=160mm

Drawing No. SH79-1064-110-160-20



## Specification

EFL	160mm
S	186mm
Wavelength	$\lambda = 1064\text{nm}$
scan angle	$\pm 28^\circ$
max scan field	110mm x 110mm
Entrance beam diameter $\varnothing$	20mm
Center point diameter ( $1/e^2$ )	16 $\mu\text{m}$
Edge point diameter ( $1/e^2$ )	18 $\mu\text{m}$
mirror distance m1	18
mirror distance m2	24
Transmission >	97%
Thread	M79x1
With protective window	yes