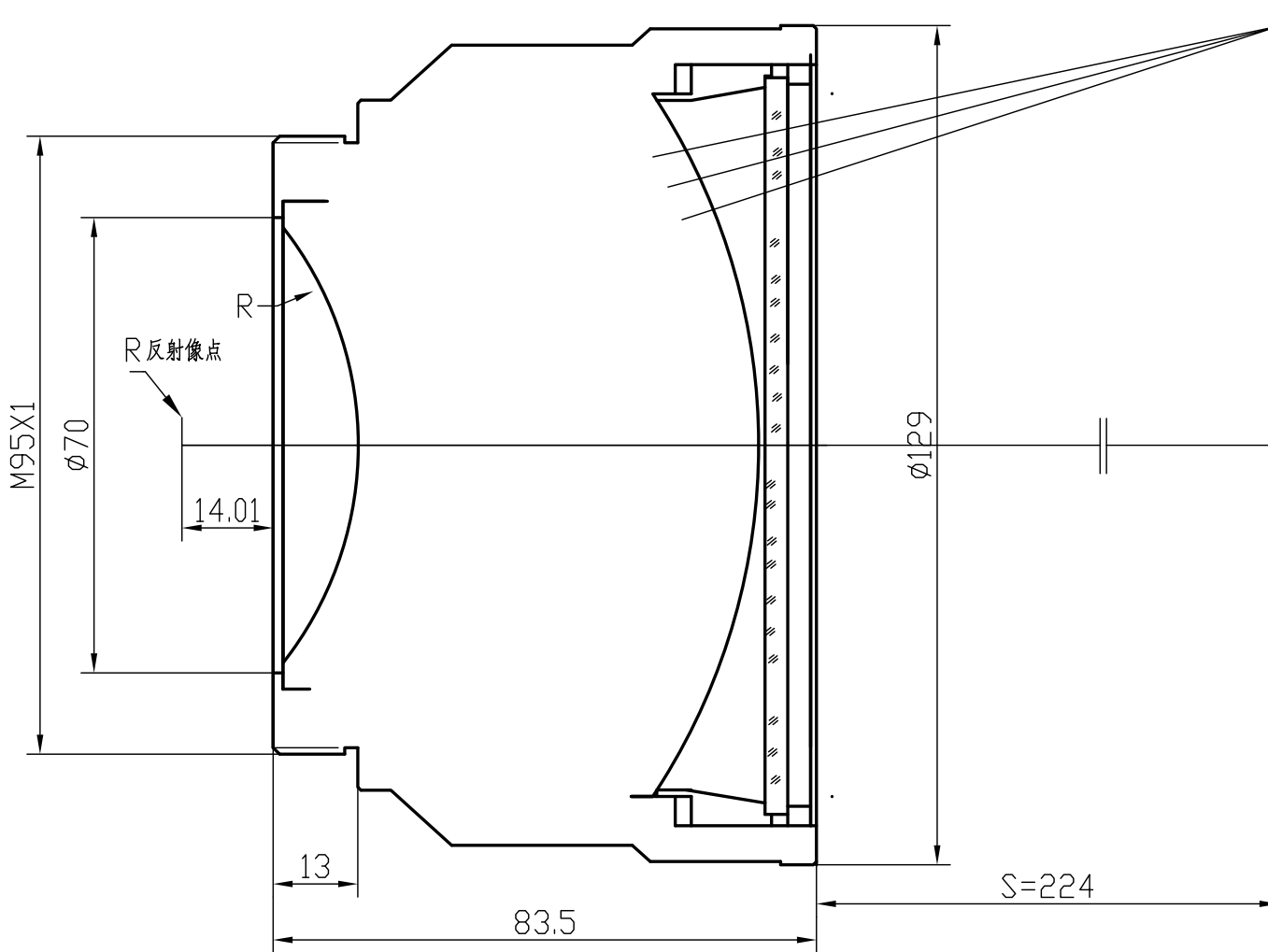


F-Theta f=170mm Fused Silica

Drawing No. SH95-1064-100-170-30-FS



Specification	
EFL	170mm
S	224mm
Wavelength	$\lambda = 1064\text{nm}$
scan angle	$\pm 25^\circ$
max scan field	100mm x 100mm
Entrance beam diameter \varnothing	30mm
Center point diameter ($1/e^2$)	11 μm
Edge point diameter ($1/e^2$)	12 μm
mirror distance m1	25-30
mirror distance m2	20-30
Transmission >	97%
Thread	M95x1
With protective window	yes