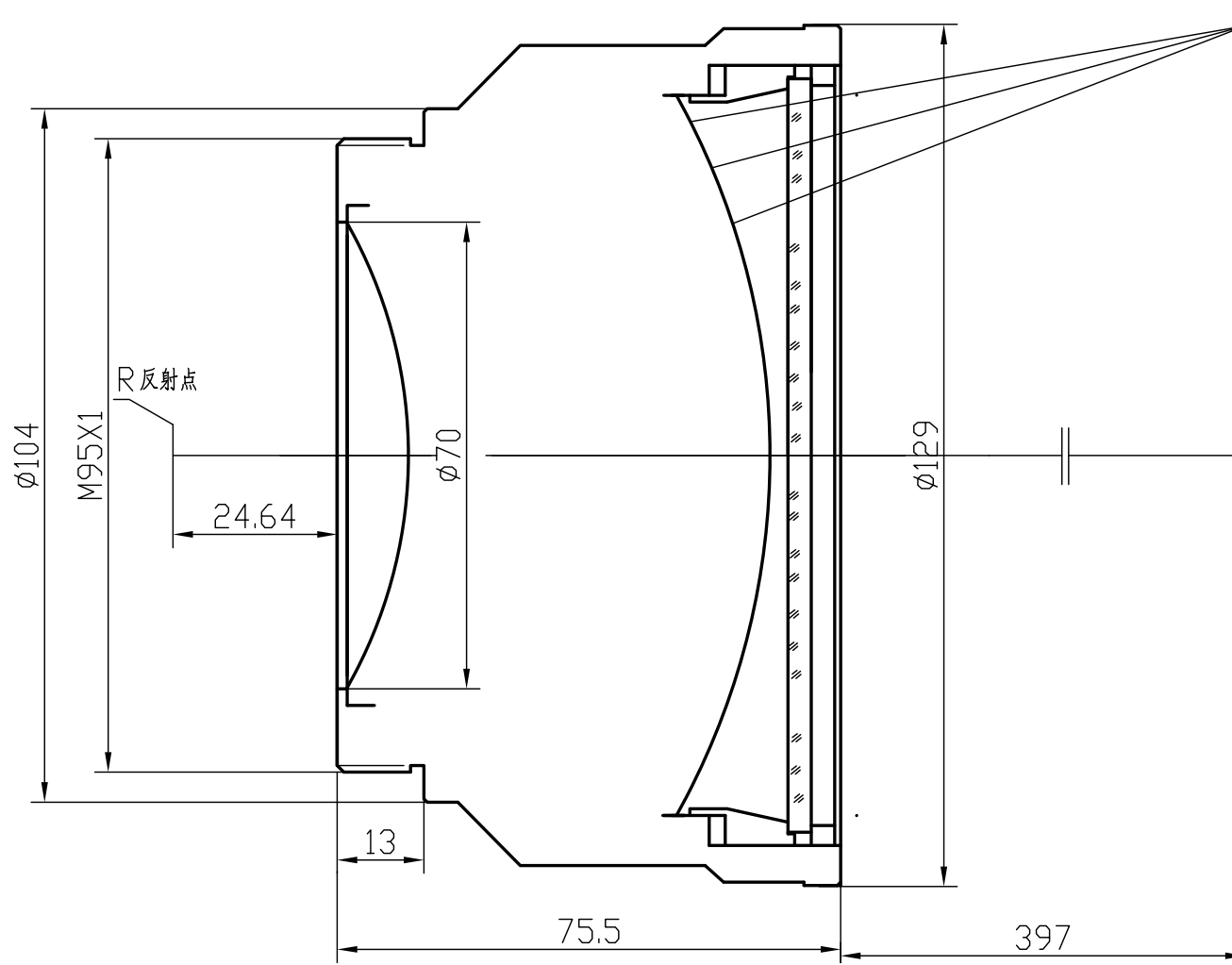


# F-Theta f=330mm D30mm

Drawing No. SH95-1064-200-330-30-FS



## Specification

EFL	330mm
S	397mm
Wavelength	$\lambda = 1064\text{nm}$
scan angle	$\pm 25^\circ$
max scan field	200mm x 200mm
Entrance beam diameter $\phi$	30mm
Center point diameter ( $1/e^2$ )	22 $\mu\text{m}$
Edge point diameter ( $1/e^2$ )	24 $\mu\text{m}$
mirror distance m1	25-30
mirror distance m2	20-30
Transmission >	97%
Thread	M95x1
With protective window	yes